



Industrie Générale

# AUTOMATIC SPRAY GUNS

**ANEST  
IWATA**

**WA-200  
INTEGRA**

- WA-200 INTEGRA
- WIDER1A

**WIDER1A**



- WA-200SP  
INTEGRA



- WA-200FT  
INTEGRA



- WIDER1A



- WIDER1A R



**USE &  
MAINTENANCE  
INSTRUCTION  
MANUAL**

EN IT FR ES PT DE SE PL

UK CE Ex EAC

**IMPORTANT:** Before use, adjustment or maintenance, it is important to read this instruction manual very carefully. This manual must be stored in a safe place for any future reference.


## COMPLIANCE TO ATEX DIRECTIVE

ANEST IWATA Automatic Spray Guns comply with 2014/34/EU ATEX Directive relating to equipment and protective systems intended for use in explosive potentially atmospheres.

COMPLETE COMPLIANCE MARKING: 

ABBREVIATE MARKING ON THE SPRAY GUN: 

## ALWAYS OBSERVE WARNINGS AND CAUTIONS IN THIS INSTRUCTION MANUAL

SYMBOL	WARNING	HAZARD LEVEL	CONSEQUENCE
	<b>WARNING</b>	POTENTIALLY HAZARDOUS SITUATION	DEATH OR SERIOUS INJURY
	<b>CAUTION</b>		MINOR TO MODERATE INJURY
	<b>IMPORTANT</b>		PROPERTY DAMAGE

## 1. TECHNICAL SPECIFICATIONS

MODELS	WA-200SP	WA-200FT	ZP2-A	WIDER1A	WIDER1A R
Max. working air pressure:	7.0 bar (100 PSI)				
Noise level (LAeqT)*:	76.8 dB(A)	81.2 dB(A)	79.0 dB(A)	78.7 dB(A)	62.8 dB(A)
Air nipple:	G1/4"			Atomizing (CAP) ø 8 mm	Operating (CYL) ø 6 mm
Fluid nipple:	G3/8"			G1/4"	
Max. Temperature:	Atmosphere 5 ~ 40 °C / Air-Fluid 5 ~ 43 °C				

\* Measuring point: 1m backwards from gun, 1.6 m height.

### 1.1 TECHNICAL DATA

 Model name	 ø mm	 air cap	 bar*	 ml/min	 NI/min	 mm (in)	 mass (g)
---	--	---	--	--	--	---	--

#### WA-200SP INTEGRA (Water Base Paint Version)

WA-200SP-08WB1P	0.8	WB1	1.6	200	340	360	420
WA-200SP-10WB1P	1.0			250			
WA-200SP-12WB1P	1.2			300			
WA-200SP-14WB1P	1.4			340			
WA-200SP-16WB1P	1.6						

#### WA-200FT INTEGRA

WA-200FT-06LV2	0.6	LV2	2.0	255	270	280	420			
WA-200FT-08LV2	0.8									
WA-200FT-10LV2	1.0									
WA-200FT-12LV2	1.2									
WA-200FT-15LV2	1.5									
WA-200FT-08G2P	0.8	G2P	3.0	500	530	400				
WA-200FT-10G2P	1.0									
WA-200FT-12G2P	1.2									
WA-200FT-15K2	1.5						K2	270	330	340
WA-200FT-20R2	2.0						R2	400	360	320
WA-200FT-25W1	2.5	W1		500	360	330				

#### ZP2-A (Version for Abrasive Paints)

ZP2-A20	2.0	ZP2-R1Z	3.4	760	500	380	450
ZP2-A25	2.5						

#### WIDER1A

WIDER1A-08E2P	0.8	E2P	3.0	150	270	190
WIDER1A-10E2P	1.0			200	270	220
WIDER1A-10E1	1.0	E1		100	90	140
WIDER1A-13H2	1.3	H2		250	260	230

#### WIDER1A R (Round Spray Pattern)

WIDER1A-05R	0.5	05R	3.0	20	40	35	400
-------------	-----	-----	-----	----	----	----	-----

## 2. SAFETY WARNING

### WARNING:

#### FIRE AND EXPLOSION

Never use the following HALOGENATED HYDROCARBON SOLVENTS: which can cause cracks or dissolution of gun body (aluminium) due to chemical reaction. UNSUITABLE SOLVENTS: methyl chloride, dichloromethane, 1,2-dichloroethane, carbon tetrachloride, trichloroethylene, 1,1,1-trichloroethane.

Sparks and open flames are strictly prohibited. Paints can be highly flammable and can cause fire. Do not expose to open flames, electrical goods, cigarettes etc.

Securely ground spray gun using conductive air hose.

(<1MΩ). Always ensure that the spray gun is earthed correctly.

#### PROTECTION OF HUMAN BODY

Use in a well-ventilated site, using a spray booth. Poor ventilation can cause organic solvent poisoning and fire.

Always wear protective gear (safety glasses, mask, gloves) to avoid inflammation of eyes and skin. In case of any physical discomfort, immediately seek medical advice.

Wear earplugs if necessary. Noise level can exceed 80 dB(A), depending on operating conditions and painting site.

#### IMPROPER USE

Never point gun towards people or animals.

Never exceed maximum working pressure or Maximum Operating Temperature.

Always release air and fluid pressure before cleaning, disassembling or servicing. Otherwise, remaining pressure can cause bodily injury due to improper operation or scattering of cleaning liquid. In order to release pressure, first stop supply of compressed air and fluid to automatic spray gun. Next, supply only piston operating air and exhaust fluid by operating fluid needle, which results in automatic supply stop of all compressed air.

Tip of fluid needle set has a sharp point.

Do not touch the tip during maintenance to avoid accidents.

Never use this gun to spray foods or chemicals. Otherwise, foreign substance, could cause corrosion of fluid passages which could adversely affect health.

Never alter this spray gun, to avoid insufficient performance and damage.

If something goes wrong, immediately stop operation and find the cause. Do not use again, until you have solved the problem.

Do not enter working areas, where robots, reciprocators, etc. are used, until they have been turned off. Otherwise, they could cause injury.

## 3. HOW TO CONNECT

### CAUTION:

Use clean air filtered through air dryer and air filter.

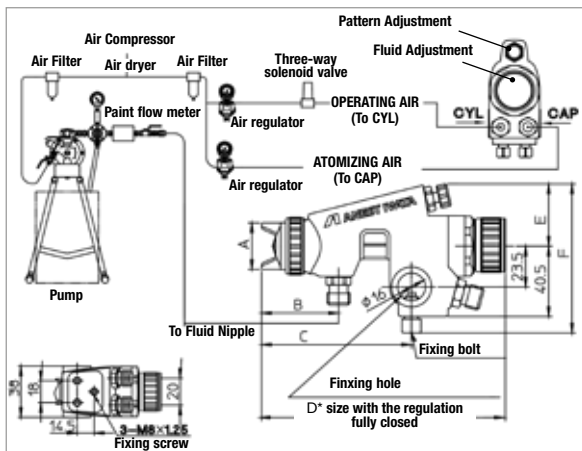
When using this automatic gun for the first time after purchase, spray cleaner to clean fluid passages and remove rust preventive oil.

Use three-way solenoid valve of more than ø 4 inner dia. cross-sectional area and air hose of over ø 6 inner dia. and less than 10m length. Small diameter of solenoid valve and longer air hose between three-way solenoid valve and gun can cause delay in operation.

Firmly fix hose to spray gun, to avoid that the disconnection of hose during operation, can cause bodily injury.

- Fit the gun on fitting stay, aim at spraying target and fix it, by fixing bolt.
- Connect atomizing air hose to atomizing air side (CAP marked side) and operating air hose to operating air side (CYL marked side) tightly.
- Connect fluid hose to fluid nipple tightly.
- Flush the gun fluid passages with a compatible cleaner.
- Supply paint, test spray and adjust fluid output, air volume and pattern width.

### 3.1 AIR HOSE AND FLUID HOSE CONNECTING EXAMPLE



#### DIMENSIONS

MODELS	A	B	C	D*	E	F
WA-200SP INTEGRA	30.5	46.5	89	160	36	77.5
WA-200FT INTEGRA						
ZP2-A						
WIDER1A	27	43.5	85.5	158	36	76.5
WIDER1A R	27	36.5	79	151.5	35	75.5

### 3.2 WIDER1A REPLACEMENT OF OPTIONAL THREADED FITTINGS

Remove from the gun body, the atomizing half union (marked CAP) for  $\varnothing$  8 mm hose (external dia.) and the operating half union (marked CYL) for  $\varnothing$  6 mm hose (external dia.) and replace them respectively with the optional threaded fittings included in the packaging.

**BE SURE TO CONNECT THE OPTIONAL THREADED FITTINGS TO GUN BODY TIGHTLY.**

### 4. HOW TO OPERATE

- Adjust operating air pressure (CYL) from 3 to 4 bar (43 to 57 PSI).

**NOTE:** Valve orifice inside three-way solenoid valve should be minimum  $\varnothing$  4 mm (0.157 in) and also operating air hose length should be within 10 m (32.8 ft) with the inner diameter more than  $\varnothing$  6 mm (0.236 in) to avoid delayed operation and any kind of failure.

- Although atomizing air pressure varies according to spray conditions, pull the piston of the gun with the pattern adj. set fully opened and adjust as specified in above specifications table.

- Recommended paint viscosity differs according to paint property and painting conditions. 15 to 23 sec/Ford cup#4 is recommendable.

- Set the spray distance from the automatic spray gun to the workpiece of **WIDER1A** and **WIDER1A R**: 150~200 mm (5.9~7.9 in); **WA-200FT / WA-200SP INTEGRA / ZP2-A Series**: 200~250 mm (7.9~9.8 in).

### 5. MAINTENANCE & INSPECTION

#### WARNING:

Before carrying out maintenance and inspection ALWAYS observe SAFETY WARNING indications.

Never use spare parts that are not ANEST IWATA originals.

Never damage fluid nozzle tip, fluid needle or air cap holes.

Never immerse the spray gun completely in liquids such as thinner.

Never soak air cap in cleaning fluid for extended period even if cleaning.

Never use metal objects to clean the gun.



#### 5.1 CLEANING PROCEDURE



The fluid passages of the gun, must be cleaned thoroughly after each use, especially after use with bi-component paints. Incomplete cleaning can cause defective pattern shape.

Clean fluid passages and air cap set. Spray a small amount of cleaner to clean fluid passages. Incomplete cleaning can fail pattern shape and uniform particles.

Clean each section with brush soaked with cleaner and wipe out with waste cloth.

Do not immerse the whole gun in the cleaner. If done, it can damage parts. When cleaning, never scratch any holes of air cap set, fluid nozzle, or fluid needle set.

#### 5.2 DISASSEMBLING AND ASSEMBLING

- Remove the air cap set, with the fluid adjustment set fully opened, unscrew the hexagon nut of the adjustment and remove the fluid adjustment set (9), the piston spring (8) and needle spring (7), then extract the needle set (2-2) in a straight line from the gun body, in order to protect the needle packing set (11). During this operation, pay attention that the fluid adjustment set (9) it doesn't pushed out suddenly since it is strongly pushed by the needle spring (7) and piston spring (8).

- After removing the needle set (2-2), unscrew the fluid nozzle (2-1) and remove it from its seat, remove the protection cover (12) of the needle packing, unscrew the hexagon nut of needle packing (11) and take it out from gun body.

- To remove the piston set (6-1), screw the rear section of fluid needle set (2-2) into piston and pull it out from the gun body. During this operation be careful to not damage the piston packing (6-2) and the O'ring. **IMPORTANT: During the reassembling of the piston (6-2), apply the grease to the piston packing (6-2) and to the O'ring (5-1), to avoid any impediments to the movement of the piston.**

- To disassemble the air valve seat set (5) use a commercially available boxwrench (14mm). **During this operation be careful to not to damage O'ring and seat section.**

- To disassemble the fluid adjustment set (9) from **WIDER1A** version, manually unscrew the knurled part of the ring and in the case of the **WA-200SP & WA-200FT INTEGRA** version, unscrew the hexagon part of the ring with the aid of a suitable spanner.

#### IMPORTANT:

- NEVER DISASSEMBLE THE ADJUSTMENT KNOB FROM THE COMPLETE SET.
- DISASSEMBLY AND REASSEMBLY OF THE FLUID ADJUSTMENT SET MUST ALWAYS BE CARRIED OUT WITH THE FLUID ADJUSTMENT KNOB FULLY OPEN.

During the reassembling of the fluid adjustment set (9), apply silicone-free grease or oil to the threads of the ring nut with the adjustment fully open.

**IMPORTANT: TO REASSEMBLE REVERSE THE PROCEDURES, FOLLOWING THE POINTS IN DECREASING ORDER.**

#### 5.3 IMPORTANT RECOMMENDATIONS



Fluid needle packing set (11), must always be adjusted while fluid needle set (2-2) is inserted and in the following way: tighten it by hand (about a 60 degrees turn) and then with spanner. When you remove needle packing set (11), do not leave the plastic piece of needle packing set in the gun body.

**IMPORTANT:** If you tighten fluid needle packing set (11) too much, fluid needle set (2-2) will not move smoothly, resulting in paint leakage from tip of fluid nozzle (2-1). Try to adjust it carefully while pulling trigger and confirming movement of fluid needle set (2-2). If you tighten it too much, repeat operation.

When replacing fluid nozzle set (2-1) and fluid needle set (2-2), check the correct coupling of both, in order to avoid any paint leakage from the fluid nozzle during spray gun operation.



To adjust the fluid adjustment set (9), turn the adj. knob of the fluid adjustment set. The standard for the fully closure of the paint adjustment device requires that the gap between the guide and the knob is: 2 mm for the WIDER1A and 1 mm for the WA-200SP / WA-200FT INTEGRA and ZP2-A.

During the adjustment it is recommended not to over-tighten the adjustment too much as its excessive tightening could cause deformation of the fluid nozzle.

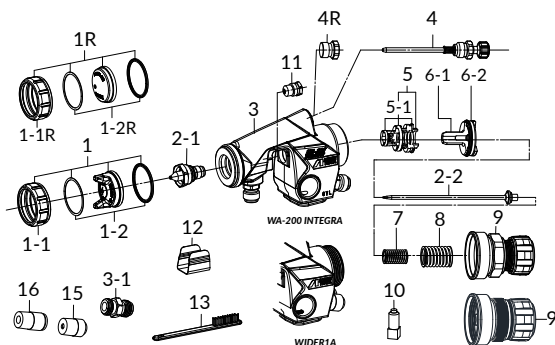
#### 5.4 INSPECTION & REPLACEMENT STANDARD

WHERE TO INSPECT	REPLACEMENT PART
Each hole passage of air cap (1) and fluid nozzle (2-1).	Replace if it is crushed or deformed.
Packing and O ring.	Replace if it is deformed or worn out.
Leakage from seat section between fluid nozzle (2-1) and fluid needle set (2-2).	Replace them if leakage does not stop after fully cleaning fluid nozzle (2-1) and fluid needle set (2-2). If you replace fluid nozzle (2-1) or fluid needle set (2-2) only, fully match them and confirm that there is no leakage.

#### 6. TROUBLESHOOTING

PROBLEM	REMEDY
<b>GUN DOES NOT SPRAY</b>	
Fluid adj. knob (9) closed.	Check and adjust it.
Tip hole of fluid nozzle (2-1) obstructed.	Check and clean it.
Deposit of paint between the fluid needle (2-2) and the needle packing set (11).	Check and clean it.
<b>INTERMITTENT SPRAY PATTERN</b>	
Air escapes from fluid nozzle (2-1) and the conical seats of the gun body.	Check, clean or replace.
Air escapes from fluid needle packing (11).	Tighten.
Air escapes from fluid hose joint.	Tighten.
Dirty inside air cap set (1).	Clean.
<b>DEFECTIVE SPRAY PATTERN</b>	
Dirty nozzle (2-1) or air cap set (1).	Clean carefully.
Nozzle (2-1) or air cap (1) has been damaged.	Replace if damaged.
Fluid nozzle (2-1) is loose.	Tighten.
Paint viscosity too high or too low.	Dilute paint or increase viscosity.
Fluid output too high or too low.	Adjust fluid adj. knob (9) to reduce or increase.
<b>LEAKING</b>	
Fluid nozzle (2-1), fluid needle set (2-2) or gun body, dirty, damaged or worn on seat.	Check, clean or replace.
Loose fluid adj. knob (9).	Adjust.
Fluid needle spring set (7) is worn.	Replace.
Loose fluid nozzle set (2-1).	Tighten.
Needle packing set (11) loose, too tight, dirty or worn.	Adjust, clean or replace.
Piston set (6-1) dirty, damaged, worn on seat.	Clean or replace.
Piston spring (8) is worn.	Replace.
Piston packing (6-2) is worn.	Replace.

#### 7. SPARE PARTS LIST



POS.	DESCRIPTION	
1	AIR CAP SET	
1R	AIR CAP SET (WIDER-1AR)	
1-1	AIR CAP COVER RING	
1-2	AIR CAP PACKING	
2-1	FLUID NOZZLE SET	•
2-2	FLUID NEEDLE SET	•
3	BODY SET	
3-1	AIR NIPPLE	
4	PATTERN ADJUSTMENT	
4R	PLUG (WIDER-1AR)	
5	AIR VALVE SEAT	
5-1	O RING	•
6-1	PISTON	
6-2	PISTON PACKING	•
7	NEEDLE SPRING	
8	PISTON SPRING	
9	FLUID ADJUSTMENT KNOB	
10	FIXING BOLT	
11	NEEDLE PACKING SET	•
12	PROTECTION COVER	
13	BRUSH	
15	HALF UNION FOR Ø 6 (CYL)	
16	HALF UNION FOR Ø 8 (CAP)	

#### NOZZLE, NEEDLE SET COMBINATION

	Fluid Nozzle set		Needle set
	Ø mm (in)	Mark	Mark
WIDER1A	0.8 (0.031)	W1/08	12H WIDER1A
	1.0 (0.039)	W1/10	
	1.3 (0.051)	W1/13	15H WIDER1A
	1.5 (0.059)	W1/15	
	0.5 (0.020)	W1/05	
WA-200SP (WB)	0.8 (0.031)	W2-2/V8-08	12H WIDER1A
	1.0 (0.039)	W2-2/V8-10	
	1.2 (0.047)	W2-2/V8-12	15H WIDER1A
	1.4 (0.055)	W2-2/V8-14	
WA-200FT INTEGRA	0.6 (0.024)	W2/06	12H WIDER1A
	0.8 (0.031)	W2/08	
	1.0 (0.039)	W2/10	15H WIDER1A
	1.2 (0.047)	W2/12	
	1.5 (0.059)	W2/15	
ZP2-A	2.0 (0.079)	W2/20	20H WIDER2A
	2.5 (0.098)	W2/25	25H WIDER2A
	2.0 (0.079)	ZP2/20	---
2.5 (0.098)	ZP2/25	---	

#### • Marked parts are wearable parts



**NEVER REMOVE FLUID NIPPLE FROM GUN BODY!** Any malfunctions resulting by the removal of this parts will not be covered by the Warranty. In case of replacement contact your Technical Service directly.



When ordering parts, specify gun model, part name with No. and marked No. of air cap set, fluid nozzle and fluid needle.

**IMPORTANTE:** Prima di procedere all'installazione, alla messa in funzione, alla regolazione o alle operazioni di manutenzione, leggere attentamente il presente manuale d'istruzione, che deve essere conservato per ogni futuro riferimento.

### CONFORMITÀ ALLA NORMATIVA ATEX

Le pistole Automatiche per verniciatura ANEST IWATA sono marcate secondo la Direttiva Atex 2014/34/EU, concernenti apparecchiature destinate ad essere utilizzate in atmosfere potenzialmente esplosive.

**MARCATURA COMPLETA:** II 2 G Ex h IIB T6 Gb X +5°C ≤ Ta ≤ +40°C

**MARCATURA ABBREVIATA PRESENTE SULLA PISTOLA:**

**Assicurarsi di rispettare SEMPRE, le avvertenze per la sicurezza, contenute nel suddetto manuale d'istruzione.**

Simbolo	SIGNIFICATO	LIVELLO DI PERICOLO	CONSEGUENZE
	<b>AVVERTENZE ATTENZIONE IMPORTANTE</b>	SITUAZIONE POTENZIALMENTE PERICOLOSA	Seri rischi per la salute e la vita dell'operatore Rischi moderati per il prodotto e l'operatore Danni materiali

## 1. SPECIFICHE TECNICHE

MODELLI	WA-200SP	WA-200FT	ZP2-A	WIDER1A	WIDER1A R
Max. pressione d'esercizio aria:	7.0 bar (100 PSI)				
Livello rumorosità (LAeqT)*	76.8 dB(A)	81.2 dB(A)	79.0 dB(A)	78.7 dB(A)	62.8 dB(A)
Raccordo aria:	G1/4"		Connessione (CAP) ø 8 mm Connessione (CYL) ø 6 mm		
Raccordo materiale:	G3/8"		G1/4"		
Max. Temperatura:	Ambiente 5 ~ 40 °C - Aria/Fluidi 5 ~ 43 °C				

\*Punto di misurazione: 1 m dietro la pistola, 1,6 m d'altezza.

### 1.1 DATI TECNICI

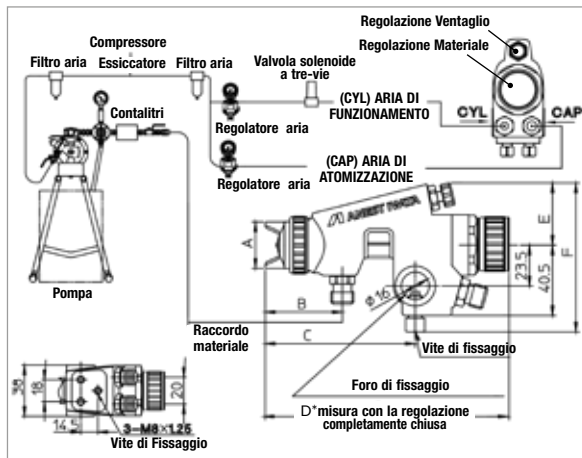
Modelli	ø mm	ugello aria	bar*	ml/min	NI/min	mm (in)	peso (g)
<b>WA-200SP INTEGRA (Versione per Vernici a Base Acqua)</b>							
WA-200SP-08WB1P	0.8	WB1	1.6	300	340		420
WA-200SP-10WB1P	1.0						
WA-200SP-12WB1P	1.2						
WA-200SP-14WB1P	1.4						
WA-200SP-16WB1P	1.6						
<b>WA-200FT INTEGRA</b>							
WA-200FT-06LV2	0.6	LV2	2.0	255	270	280	420
WA-200FT-08LV2	0.8						
WA-200FT-10LV2	1.0						
WA-200FT-12LV2	1.2						
WA-200FT-15LV2	1.5						
WA-200FT-08G2P	0.8	G2P	3.0	500	530	400	420
WA-200FT-10G2P	1.0						
WA-200FT-12G2P	1.2						
WA-200FT-15K2	1.5						
WA-200FT-20R2	2.0						
WA-200-FT25W1	2.5	W1		500	360	320	330
<b>ZP2-A (Versione per Vernici Abrasive)</b>							
ZP2-A20	2.0	ZP2-R1Z	3.4	760	500	380	450
ZP2-A25	2.5						
<b>WIDER1A</b>							
WIDER1A-08E2P	0.8	E2P	3.0	150	270	190	400
WIDER1A-10E2P	1.0						
WIDER1A-10E1	1.0						
WIDER1A-13H2	1.3	H2		250	260	230	
<b>WIDER1A R (Ventaglio Conico)</b>							
WIDER1A-05R	0.5	05R	3.0	20	40	35	400

## 2. AVVERTENZE DI SICUREZZA

<b>AVVERTENZE:</b>	
<b>RISCHI DI INCENDI ED ESPLOSIONI</b>	
<b>Mai utilizzare SOLVENTI IDROCARBURI ALENATI,</b> che potrebbero causare danni e scioglimento delle parti in alluminio del corpo pistola, provocati da reazioni chimiche. <b>SOLVENTI INCOMPATIBILI:</b> cloruro di metile, diclorometano, 1,2-dicloroetano, tetracloruro di carbonio, tricloretilene, 1,1,1-tricloroetano.	
<b>La presenza di fiamme libere e la produzione di scintille è severamente vietata.</b> I prodotti utilizzati possano essere altamente infiammabili e quindi causa di gravi incendi. Evitare ogni azione che potrebbe provocare incendi, come fumare, provocare scintille o qualsiasi rischio elettrico.	
<b>Collegare correttamente a terra la pistola per verniciatura, utilizzando un tubo aria conduttivo. (&lt;1MΩ).</b> Controllare periodicamente la stabilità della messa terra.	
<b>RISCHI PER LA SALUTE</b>	
<b>Usare la pistola per verniciatura in ambienti, ben ventilati utilizzando la cabina di verniciatura.</b> Una ventilazione inadeguata o insufficiente potrebbe provocare un'intossicazione da solventi organici o causare incendi.	
<b>Indossare sempre indumenti protettivi (occhiali di protezione, maschera, guanti).</b> Per evitare che il contatto con i materiali irritanti, provochi infiammazione agli occhi ed alla pelle. Nel caso in cui si verificasse anche il più lieve rischio di danno fisico, consultare immediatamente un medico.	
<b>Se è necessario indossare i tappi antirumore.</b> Il livello di rumorosità può superare 80 dB(A) e dipende dalle condizioni d'utilizzo e dall'area di lavoro.	
<b>RISCHI DI USO IMPROPRIO</b>	
<b>MAI puntare la pistola in direzione del corpo umano o di animali.</b>	
<b>MAI superare la pressione o la temperatura massima d'esercizio.</b>	
<b>SCARICARE SEMPRE la pressione dell'aria e del materiale, prima delle operazioni di pulizia, disassemblaggio e di manutenzione.</b> Altrimenti la pressione residua potrebbe causare ferite al corpo provocate da operazioni scorrette o dall'emissione dei liquidi usati per la pulizia. Per scaricare la pressione, chiudere l'alimentazione dell'aria compressa e della vernice. Quindi fornire solo l'aria al pistone e scaricare il materiale operando sull'astina. Questa azione provocherà l'arresto automatico dell'aria compressa.	
<b>L'estremità dell'astina è tagliente.</b> Per non rischiare di ferirsi, evitare di toccare l'estremità dell'astina durante le operazioni di manutenzione.	
<b>Mai spruzzare prodotti alimentari o chimici con questa pistola.</b> Altrimenti la miscela di sostanze estranee potrebbe causare la corrosione dei passaggi vernice, con conseguenti danneggiamenti alla pistola e rischi per la salute.	
<b>Mai modificare la pistola per verniciatura,</b> per evitare danneggiamenti che potrebbero compromettere la qualità del risultato.	
<b>Nel caso di malfunzionamenti, sospendete immediatamente le operazioni di verniciatura per la ricerca del guasto. Non utilizzare nuovamente il prodotto finché non si è risolto il problema.</b>	
<b>Mai entrare nelle aree di lavoro delle attrezzature (come: robot, reciprocatori, ecc.), finché queste non siano state disattivate.</b> Altrimenti, il contatto con i macchinari in funzione potrebbe essere causa di incidenti e ferimenti.	
<b>3. COLLEGAMENTO</b>	
<b>ATTENZIONE:</b>	
<b>Per alimentare la pistola utilizzare aria filtrata ed asciutta.</b> L'aria per la pistola non filtrata potrebbe provocare difetti di verniciatura.	
<b>Quando si utilizza la pistola per la prima volta dopo l'acquisto, pulire i passaggi vernice spruzzando detergente compatibile per rimuovere l'olio antiruggine.</b> Altrimenti l'olio residuo potrebbe causare malfunzionamenti della pistola con conseguenti difetti di verniciatura.	
<b>Utilizzare una valvola solenoide a tre vie il cui diametro della sezione interna dovrà essere maggiore di ø 4 mm ed una tubazione aria con un diametro interno maggiore di ø 6 mm e con lunghezza non superiore a 10 m.</b> Altrimenti, una valvola solenoide con un diametro troppo piccolo ed una tubazione aria di lunghezza eccessiva tra la valvola e la pistola, potrebbero causare ritardi nelle operazioni.	
<b>Collegare saldamente la tubazione alla pistola, per evitare che lo scollegamento della tubazione o le perdite durante le operazioni di verniciatura provochino ferite gravi al corpo.</b>	

1. Montare la pistola sulla staffa di fissaggio, direzionare il getto di verniciatura e fissare la pistola nella posizione corretta, tramite il bullone di fissaggio.
2. Collegare saldamente la tubazione dell'aria d'atomizzazione al lato aria siglato CAP e la tubazione dell'aria di funzionamento al lato aria siglato CYL.
3. Collegare saldamente la tubazione della vernice al raccordo del materiale della pistola.
4. Alimentare la pistola automatica con detergente compatibile e spruzzare per detergere i passaggi della vernice.
5. Alimentare la pistola automatica con la vernice, verificare lo spruzzo e regolare il volume dell'aria, la portata del materiale ed il ventaglio secondo le vostre necessità.

### 3.1 COLLEGAMENTO DELLA TUBAZIONE ARIA E VERNICE



#### DIMENSIONI

MODELLI	A	B	C	D*	E	F
WA-200SP INTEGRA	30.5	46.5	89	160	36	77.5
WA-200FT INTEGRA						
ZP2-A						
WIDER1A	27	43.5	85.5	158	36	76.5
WIDER1A R	27	36.5	79	151.5	35	75.5

### 3.2 SOSTITUZIONE DEI RACCORDI OPZIONALI NELLA WIDER1A

Dal corpo pistola, rimuovere il raccordo rapido dell'aria d'atomizzazione (siglato CAP) per tubazioni da  $\varnothing$  8 mm (dia. esterno) ed il raccordo rapido dell'aria di funzionamento (siglato CYL) per tubazioni da  $\varnothing$  6 mm (dia. esterno), e sostituirli rispettivamente con i raccordi filettati opzionali inclusi nella confezione del prodotto.

**ASSICURARSI DI FISSARE SALDAMENTE I RACCORDI FILETTATI AL CORPO DELLA PISTOLA.**

### 4. COME OPERARE

1. Regolare la pressione aria di funzionamento (CYL) ad un valore compreso tra 3 e 4 bar. (43 a 57 PSI).

**NOTA:** Il diametro interno della valvola solenoide a tre vie dovrebbe misurare minimo  $\varnothing$  4 mm (0.157 in) e la lunghezza del tubo aria non dovrebbe essere maggiore di 10 m (32.8 ft) ed avere un diametro interno maggiore di  $\varnothing$  6 mm (0.236 in) per evitare ritardi durante le operazioni e difetti nelle applicazioni.

2. La pressione d'atomizzazione aria varia a seconda delle applicazioni. Per regolarla è necessario tenere premuto il pistone con la regolazione ventaglio completamente aperta e registrarla secondo le indicazioni contenute nella tabella delle specifiche tecniche.
3. La corretta viscosità del materiale, benché dipenda dalle proprietà della vernice stessa e dalle condizioni di verniciatura; è consigliata tra 15 e 23 secondi Coppa Ford #4.

4. Calibrare la distanza di spruzzo fra la pistola automatica ed il pezzo di lavorazione ad una distanza compresa fra 150-200 mm (5.9-7.9 in) nel caso della serie **WIDER1A** e **WIDER1A R**, nel caso delle serie **WA-200FT** / **WA-200SP INTEGRA** / **ZP2-A** fra 200-250 mm (7.9 a 9.8 in).

### 5. MANUTENZIONE ED ISPEZIONE

**AVVERTENZE:** Prima di procedere a qualsiasi operazione d'ispezione e manutenzione, leggere sempre ed osservare scrupolosamente tutte le indicazioni sulle Avvertenze di Sicurezza.



**Mai utilizzare altri componenti o parti di ricambio che non siano originali ANEST IWATA.**

**Mai danneggiare i fori dell'ugello aria, dell'ugello materiale e l'estremità dell'astina.**

**Mai immergere completamente la pistola nei liquidi detergenti.**

**Mai lasciare immerso nell'ugello aria nel liquido di pulizia per un periodo prolungato, anche durante la pulizia. Mai utilizzare oggetti metallici per la pulizia della pistola.**

### 5.1 PROCEDURA PER LA PULIZIA



I passaggi del materiale devono essere accuratamente puliti dopo ogni utilizzo della pistola e in particolare modo dopo l'uso di vernici bi-componenti. Una pulizia incompleta potrebbe causare difetti alla forma del ventaglio.

**Pulire tutti i passaggi del materiale e del set ugello aria. Spruzzare una piccola quantità di liquido di pulizia per pulire i passaggi vernice. Una pulizia incompleta può provocare difetti alla forma del ventaglio.**

**Pulire ogni sezione con uno spazzolino imbevuto di liquido di pulizia ed uno strofinaccio assorbente. Mai immergere completamente la pistola nel liquido di pulizia, in quanto ciò potrebbe causare danni al prodotto. Durante la pulizia, evitate di graffiare le superfici dei fori dell'ugello aria, dell'ugello materiale e l'astina.**

### 5.2 DISASSEMBLAGGIO E RIASSEMBLAGGIO

1. Rimuovere l'ugello aria, con la regolazione astina completamente aperta, svitare il dado esagonale della regolazione e rimuovere il set regolazione astina (9), la molla pistone (8), la molla astina (7), quindi estrarre l'astina (2-2) in linea retta dal corpo pistola, per proteggere il set guarnizione astina (11). Durante questa fase fare attenzione che la regolazione astina (9) non venga spinta fuori bruscamente, poiché subisce una forte pressione dalla molla astina (7) e dalla molla del pistone (8).

2. Dopo aver rimosso l'astina (2-2), svitare l'ugello materiale (2-1) ed estrarlo dalla sua sede, rimuovere la protezione (12) della guarnizione astina, svitare il dado esagonale della guarnizione astina (11) ed estrarla dal corpo pistola.

Per rimuovere il pistone (6-1), avvitare la sezione posteriore dell'astina (2-2) nel pistone ed estrarlo. Attenzione a non danneggiare la guarnizione del pistone (6-2) e l'O'ring durante la rimozione.

3. **IMPORTANTE:** Durante il riassetto del pistone, applicare del grasso alla guarnizione del pistone (6-2) ed all'O'ring (5-1), per evitare impedimenti al movimento del pistone stesso.

4. E' possibile smontare la sede valvola aria (5) utilizzando una chiave a tubo (14mm) disponibile in commercio. Durante questa operazione prestare attenzione a non danneggiare l'O'ring e la sezione della sede.

Per smontare il set regolazione astina (9) dalla versione **WIDER1A**, svitare manualmente dalla parte zigmrata della ghiera della regolazione, mentre nel caso della versione **WA-200SP** / **WA-200FT INTEGRA**, svitare la parte esagonale della ghiera con l'ausilio di una chiave idonea.

#### IMPORTANTE:

5.
  - NON SMONTARE MAI IL POMELLO DAL SET COMPLETO DELLA REGOLAZIONE.
  - LO SMONTAGGIO ED IL RIASSEMBLAGGIO DEL SET REGOLAZIONE ASTINA DEVONO SEMPRE ESSERE EFFETTUATI CON IL POMELLO DELLA REGOLAZIONE COMPLETAMENTE APERTO.

Durante il montaggio del set regolazione astina (9), applicare grasso o olio privo di silicene sulla filettatura della ghiera con la regolazione completamente aperta.

**IMPORTANTE: PER RIMONTARE PROCEDERE IN MODO INVERSO SEGUENDO I PUNTI IN ORDINE DECRESCENTE.**

### 5.3 RACCOMANDAZIONI IMPORTANTI



La regolazione del set guarnizione astina (11) deve sempre essere effettuata con l'astina (2-2) montata e nel seguente modo: chiudere manualmente e successivamente stringere con l'apposita chiave per circa 1/6 di giro (60 gradi). Quando rimuovete il set guarnizione astina (11) assicuratevi di non lasciare il pezzo di plastica della guarnizione, nel corpo pistola.



**IMPORTANTE:** Un avvitamento eccessivo del set guarnizione astina (11), può provocare un impedimento al movimento del set astina (2-2), con conseguente trafilamento di vernice dall'estremità dell'ugello materiale (2-1). Regolare lentamente, controllando il movimento del set astina (2-2). Se risultasse eccessivamente avvitato, svitatelo completamente ed avvitatelo nuovamente con cura.

**Quando si sostituisce l'ugello materiale (2-1) e l'astina (2-2),** verificare il corretto l'accoppiamento di entrambi per evitare eventuali trafilamenti di vernice dall'ugello materiale durante l'utilizzo della pistola.



Per regolare il set regolazione astina (9), settarlo ruotando la manopola di regolazione del set. Lo standard per la chiusura completa del dispositivo di regolazione, richiede che lo spazio tra la guida e la manopola sia di: **2 mm per WIDER1A e 1 mm per WA-200SP / WA-200FT INTEGRA e ZP2-A.**

Durante la regolazione si raccomanda di non chiudere eccessivamente la regolazione, in quanto il suo eccessivo serraggio potrebbe causare la deformazione dell'ugello materiale.

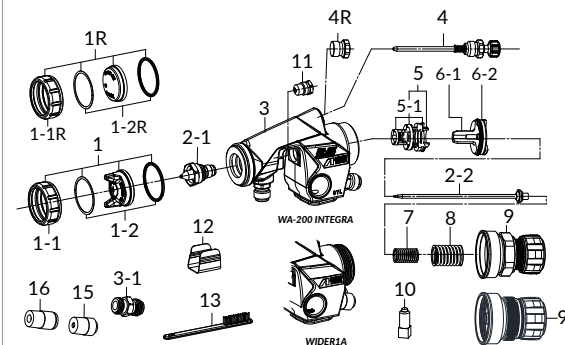
### 5.4 ISPEZIONI E SOSTITUZIONI STANDARD

PARTI DA CONTROLLARE	PARTI DA SOSTITUIRE
Ogni foro di passaggio dell'ugello aria (1) e dell'ugello materiale (2-1)	Sostituire se schiacciato o deformato.
Guarnizioni ed O'ring.	Sostituire se deformate od usurate.
Perdite dalle sezioni delle sedi tra l'ugello materiale (2-1) e l'astina (2-2).	Sostituire se le perdite non si arrestano anche dopo che il set ugello materiale (2-1) e l'astina (2-2) sono stati completamente puliti. Se sostituite solo l'ugello materiale (2-1) o l'astina (2-2), verificate il corretto accoppiamento di entrambi ed accertatevi che non vi siano eventuali perdite.

### 6. PROBLEMI, CAUSE E RIMEDI

PROBLEMI	RIMEDI
<b>MANCATA FUORIUSCITA DI VERNICE</b>	
Regolazione astina (9) non sufficientemente aperta.	Verificare e regolare.
Foro ugello materiale (2-1) ostruito.	Verificare e pulire.
Accumulo di vernice tra l'astina (2-2) ed il set guarnizione astina (11).	Verificare e pulire.
<b>ATOMIZZAZIONE AD INTERMITTENZA</b>	
Trafilamento d'aria dall'ugello materiale (2-1) e le sedi coniche del corpo pistola.	Verificare, pulire o sostituire.
Trafilamento aria dalla guarnizione astina (11)	Stringere.
Trafilamento d'aria dal raccordo della tubazione del materiale.	Stringere.
Residui di vernice nell'ugello aria (1).	Pulire.
<b>DIFETTI DEL VENTAGLIO</b>	
Ugello materiale (2-1) o ugello aria (1) incrostati.	Pulire accuratamente.
Ugello materiale (2-1) o ugello aria (1) danneggiati	Sostituire.
Ugello materiale (2-1) allentato.	Stringere
Viscosità vernice troppo elevata o troppo bassa.	Diluire la vernice o aumentare la viscosità.
Portata vernice troppo elevata o troppo bassa.	Registrare la regolazione astina (9) per ridurre o aumentare la portata.
<b>TRAFILAMENTO DELLA VERNICE</b>	
Ugello materiale (2-1), set astina (2-2) o corpo pistola, incrostati, danneggiati o usurati nelle sedi.	Verificare, pulire o sostituire.
Dado regolazione astina (9) allentato.	Regolare.
Molla astina (7) usurata.	Sostituire.
Ugello materiale (2-1) allentato.	Stringere.
Set guarnizione astina (11) allentata, troppo stretta, sporca o usurata.	Regolare, pulire o sostituire.
La superficie della sede del pistone (6-1) è sporca, danneggiata o usurata.	Pulire o sostituire.
La molla del pistone (8) è usurata.	Sostituire.
La guarnizione del pistone (6-2) è usurata.	Sostituire.

### 7. ELENCO RICAMBI



POS.	DESCRIZIONE	
1	SET UGELLO ARIA	
1R	SET UGELLO ARIA (WIDER-1AR)	
1-1	GHIERA UGELLO ARIA	
1-2	GUARNIZIONE UGELLO ARIA	
2-1	SET UGELLO MATERIALE	•
2-2	SET ASTINA	•
3	CORPO PISTOLA	
3-1	RACCORDO ARIA	
4	REGOLAZIONE VENTAGLIO	
4R	TAPPO A VITE (WIDER-1AR)	
5	SEDE VALVOLA ARIA	
5-1	O RING	•
6-1	PISTONE	
6-2	GUARNIZIONE PISTONE	•
7	MOLLA ASTINA	
8	MOLLA PISTONE	
9	SET REGOLAZIONE MATERIALE	
10	DADO DI FISSAGGIO	
11	SET GUARNIZIONE ASTINA	•
12	PROTEZIONE	
13	SPAZZOLINO	
15	RACCORDO RAPIDO Ø 6 (CYL)	
16	RACCORDO RAPIDO Ø 8 (CAP)	

### COMBINAZIONI SET UGELLO MATERIALE ED ASTINA

		Set Ugello Materiale		Set Astina
		Ø mm (in)	Sigla	Sigla
WIDER1A		0.8 (0.031)	W1/08	12H WIDER1A
		1.0 (0.039)	W1/10	
		1.3 (0.051)	W1/13	15H WIDER1A
		1.5 (0.059)	W1/15	
		0.5 (0.020)	W1/05	05H WIDER1A
WA-200SP (WB)		0.8 (0.031)	W2-2/V8-08	
		1.0 (0.039)	W2-2/V8-10	12H WIDER1A
		1.2 (0.047)	W2-2/V8-12	
		1.4 (0.055)	W2-2/V8-14	15H WIDER1A
		1.6 (0.063)	W2-2/V8-16	
WA-200FT INTEGRA		0.6 (0.024)	W2/06	
		0.8 (0.031)	W2/08	12H WIDER1A
		1.0 (0.039)	W2/10	
		1.2 (0.047)	W2/12	
		1.5 (0.059)	W2/15	15H WIDER1A
ZP2-A		2.0 (0.079)	W2/20	20H WIDER2A
		2.5 (0.098)	W2/25	25H WIDER2A
		2.0 (0.079)	ZP2/20	
		2.5 (0.098)	ZP2/25	---

• Le parti contrassegnate sono soggette ad usura.



**NON TENTARE MAI DI RIMUOVERE IL RACCORDO MATERIALE DAL CORPO PISTOLA!** Gli eventuali malfunzionamenti derivanti dalla rimozione della suddetta parte, non saranno coperti dalla Garanzia. In caso di sostituzione rivolgersi direttamente al Servizio Tecnico di Assistenza.



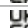

In fase d'ordine si prega sempre di specificare, il modello della pistola, il nome del ricambio con il riferimento numerico, la sigla dell'ugello aria, dell'ugello materiale e dell'astina.



**IMPORTANT:** Avant toute utilisation, tout réglage ou toute opération d'entretien, lire attentivement ce manuel d'instruction. Conserver ce manuel en lieu sûr pour pouvoir le consulter ultérieurement.

### CONFORMITÉ AUX RÈGLEMENTS ATEX

Les pistolets automatique de pulvérisation ANEST IWATA sont conformes à la Directive 2014/34/UE concernant les équipements et systèmes de protection destinés à être utilisés dans des atmosphères potentiellement explosives.

MARQUAGE DE CONFORMITÉ   II 2 G Ex h IIB T6 Gb X +5°C ≤ Ta ≤ +40°C

MARQUAGE DE CONFORMITÉ ABRÉGÉ SUR LE PISTOLET:   II 2 G Ex h X









	<b>Respecter TOUJOURS les avertissements pour la sécurité présents dans ce manuel d'instructions.</b>		
Symbole	SIGNIFICATION	Niveau de danger	Conséquences
	AVERTISSEMENTS	SITUATION POTENTIELLEMENT DANGEREUSE	Risques sérieux pour la santé et la vie de l'opérateur.
	ATTENTION		Risques modérés pour le produit et l'opérateur.
	IMPORTANT		Dommages matériels.

## 1. SPÉCIFICATIONS TECHNIQUES

MODÈLE	WA-200SP	WA-200FT	ZP2-A	WIDER1A	WIDER1A R
Pression maxi d'emploi:	7.0 bar (100 PSI)				
Niveau de Bruit (LAeqT)*:	76.8 dB(A)	81.2 dB(A)	79.0 dB(A)	78.7 dB(A)	62.8 dB(A)
Raccordement d'air:	G1/4"		Raccordement (CAP) ø 8 mm Raccordement (CVL) ø 6 mm		
Raccordement produit:	G3/8"		G1/4"		
Température Maxi:	Environnement 5 ~ 40 °C - Air/Produit 5 ~ 43 °C				

\*Emplacement de mesure: 1 m derrière le pistolet, 1,6 m de hauteur

### 1.1 DONNÉES TECHNIQUES

 Modelli	 ø mm	 chapeau d'air	 bar*	 ml/min	 NI/min	 mm (in)	 poids (g)
<b>WA-200SP INTEGRA (Version pour Peinture à base Hydro)</b>							
WA-200SP-08WB1P	0.8	WB1	1.6	200	340	360	420
WA-200SP-10WB1P	1.0			250			
WA-200SP-12WB1P	1.2			300			
WA-200SP-14WB1P	1.4			340			
WA-200SP-16WB1P	1.6			380			
<b>WA-200FT INTEGRA</b>							
WA-200FT-06LV2	0.6	LV2	2.0	255	270	280	420
WA-200FT-08LV2	0.8						
WA-200FT-10LV2	1.0						
WA-200FT-12LV2	1.2						
WA-200FT-15LV2	1.5						
WA-200FT-08G2P	0.8	G2P	3.0	500	530	400	420
WA-200FT-10G2P	1.0						
WA-200FT-12G2P	1.2						
WA-200FT-15K2	1.5						
WA-200FT-20R2	2.0						
WA-200FT-25W1	2.5	W1	360	320	330		
<b>ZP2-A (Version pour Peintures Abrasives)</b>							
ZP2-A20	2.0	ZP2-R1Z	3.4	760	500	380	450
ZP2-A25	2.5						
<b>WIDER1A</b>							
WIDER1A-08E2P	0.8	E2P	3.0	150	270	190	400
WIDER1A-10E2P	1.0			200	270	220	
WIDER1A-10E1	1.0			E1	100	90	
WIDER1A-13H2	1.3	H2	250	260	230		
<b>WIDER1A R (avec Jet Rond)</b>							
WIDER1A-05R	0.5	05R	3.0	20	40	35	400

## 2. AVERTISSEMENT DE SÉCURITÉ

### AVERTISSEMENTS:

#### INCENDIES ET EXPLOSIONS

Ne jamais utiliser les SOLVANTS HYDROCARBONÉS HALOGENÉS, reportés ci-dessous: car ils risquent de provoquer des fissures ou la dissolution du corps du pistolet (aluminium) en conséquence de la réaction chimique. **SOLVANTS INADEQUATS:** chlorure de méthyle, dichloro-méthane, 1,2-dichlororo-éthane, tétrachlorure de carbone, trichloroéthylène, 1,1,1-trichloro-éthane.

Les étincelles et les flammes nues sont strictement interdites. Les produits sont facilement inflammables et susceptibles de causer un incendie. Ne pas les exposer aux flammes nues, à l'électroménager, aux cigarettes etc.

Relier le pistolet à la terre en utilisant le tuyau d'air conducteur. (<1MD)

S'assurer toujours que le pistolet soit correctement relié à la terre.

#### PROTECTION CORPORELLE

Utiliser le pistolet dans un lieu bien ventilé avec une cabine de pulvérisation. Une ventilation insuffisante peut provoquer une intoxication par les solvants organiques ou un incendie.

Porter toujours des protections personnelles (lunettes, masques et gants de sécurité) afin d'éviter des inflammations des yeux et de la peau causées par le liquide de nettoyage etc. En cas de problèmes, consulter un médecin.

Porter des bouche-oreilles le cas échéant.

Le niveau de bruit peut dépasser 80 dB(A) en fonction des conditions et du lieu d'emploi.

#### EMPLOI ABUSIF

Ne jamais diriger le pistolet sur des personnes ou des animaux.

Ne jamais dépasser la pression ou la température maximale d'emploi.

Décharger toujours la pression d'air et du produit avant de procéder au nettoyage, au démontage ou à l'entretien du pistolet. Dans le cas contraire, la pression résiduelle risque de provoquer des lésions corporelles dues à l'emploi abusif ou à la dispersion du liquide de nettoyage. Pour décharger la pression, fermer l'alimentation de l'air comprimé et du produit. Ensuite, fournir l'air seulement au piston et décharger le matériel en agissant sur l'aiguille. Cette action provoquera l'arrêt automatique de l'air comprimé.

L'extrémité de l'aiguille a un côté coupant. Ne pas toucher l'extrémité de l'aiguille pour éviter de vous blesser.

Ne jamais pulvériser de produits alimentaires ou chimiques avec ce pistolet; cela peut causer des accidents liés à la corrosion des conduits du produit ou des dommages à la santé dus au mélange avec des matériaux étrangers.

Ne jamais modifier le pistolet pour pulvérisation pour éviter tout endommagement susceptible de compromettre la qualité du résultat.

En cas de mauvais fonctionnement, interrompre immédiatement les opérations de pulvérisation pour la recherche de la panne. Ne pas réutiliser le produit tant que le problème n'a pas été résolu.

Ne jamais entrer dans les zones de mouvements des équipements (tels que robots, réciprocatours, etc.), tant que ces derniers n'ont pas été désactivés.

Dans le cas contraire, le contact avec les machines en marche pourrait entraîner des accidents et des blessures.

## 3. CONNEXION

### ATTENTION:

Pour alimenter le pistolet utiliser de l'air filtré et sec. L'utilisation d'air non filtré peut entraîner des défauts de peinture.

Lorsqu'on utilise le pistolet pour la première fois, nettoyer les passages du produit en pulvérisant de liquide de nettoyage compatible pour éliminer l'huile antirouille.

Si non, l'huile résiduelle pourrait provoquer un dysfonctionnement du pistolet et entraîner des défauts de peinture.

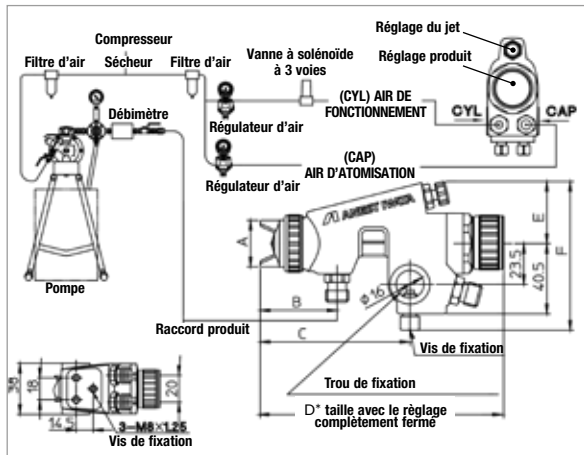
Utiliser une vanne à solénoïde à trois voies dont le diamètre de la section intérieure devra être supérieure à ø 4 mm et un tuyau d'air ayant un diamètre intérieur supérieur à ø 6 mm et une longueur non supérieure à 10 m. Dans le cas contraire, une vanne à solénoïde avec un diamètre trop petit et un tuyau d'air avec une longueur excessive entre la vanne et le pistolet, pourraient causer des retards pendant les opérations.

Raccorder solidement le tuyau au pistolet pour éviter que le débranchement du tuyau ou les pertes pendant les opérations de pulvérisation ne provoquent de blessures graves au corps.



1. Fixer le pistolet à l'étrier de fixation, diriger le jet de pulvérisation et bloquer le pistolet dans la position correcte au moyen du boulon de fixation.
2. Raccorder fermement le tuyau de l'air d'atomisation au côté d'air marqué CAP et le tuyau de l'air de fonctionnement au côté d'air marqué CYL.
3. Raccorder solidement le tuyau peinture au raccord produit du pistolet.
4. Alimenter le pistolet automatique avec du détergent et pulvériser pour nettoyer les passages du produit.
5. Alimenter le pistolet automatique avec la peinture, vérifier la pulvérisation et régler le volume de l'air, le débit du produit et le jet selon vos nécessités.

### 3.1 CONNEXION DU TUYAU D'AIR ET DE TUYAU PEINTURE



#### DIMENSIONS

MODÈLES	A	B	C	D*	E	F
WA-200SP INTEGRA	30.5	46.5	89	160	36	77.5
WA-200FT INTEGRA						
ZP2-A						
WIDER1A	27	43.5	85.5	158	36	76.5
WIDER1A R	27	36.5	79	151.5	35	75.5

### 3.2 REMPLACEMENT DES RACCORDS FILETÉS OPTIONNELS DANS LA WIDER1A

Du corps du pistolet, retirez le raccord rapide de pulvérisation (marqué CAP) pour tuyaux de  $\varnothing$  8 mm (dia. externe) et le raccord d'air pour le fonctionnement (marqué CYL) pour tuyaux  $\varnothing$  6 mm (dia. ext.) et remplacez-les respectivement avec les raccords filetés en option inclus dans l'emballage du produit.

**S'ASSURER TOUJOURS DE CONNECTER FERMEMENT LES RACCORDS FILETÉS AU CORPS DU PISTOLET.**

## 4. COMMENT PROCÉDER

1. Régler la pression de l'air de fonctionnement (CYL) entre 3 et 4 bar (43 ~ 57 PSI).

**REMARQUE:** Le diamètre interne de la vanne à solénoïde à trois voies doit mesurer au moins  $\varnothing$  4 mm (0,157 in) et la longueur du tuyau d'air ne doit pas dépasser 10 m (32,8 ft) et avoir un diamètre interne supérieur à  $\varnothing$  6 mm (0,236 in) pour éviter des retards pendant les opérations et des défauts dans les applications.

2. La pression d'air de pulvérisation change en fonction des applications. Pour la régler, tirez le piston du pistolet avec le réglage du jet complètement ouvert et enregistrez conformément aux indications du tableau des spécifications techniques.
3. La viscosité de la peinture dépend des propriétés de la peinture utilisée et des conditions de vernissage; il est recommandé entre 15 et 23 secondes Ford Cup # 4.

4. Dans le cas des pistolets suivants, calibrer la distance de pulvérisation entre le pistolet et la pièce à travailler à une distance entre: **WIDER1A** et **WIDER1A R**: 150 ~ 200 mm (5.9-7.9 in) | **WA-200SP** / **WA-200FT INTEGRA** / **ZP2-A**: 200-250 mm (7.9-9.8 in).

## 5. ENTRETIEN ET INSPECTION

### AVERTISSEMENTS:

Avant de commencer toute opération d'inspection, lire et observer scrupuleusement toutes les indications concernant les AVERTISSEMENTS DE SÉCURITÉ.



NE JAMAIS utiliser d'autres composants ou des pièces de rechange non originales ANEST IWATA.

NE JAMAIS endommager les trous du chapeau, de la buse et de l'extrémité de l'aiguille.

NE JAMAIS immerger complètement le pistolet dans des liquides tels que du solvant.

NE JAMAIS laisser le chapeau (1) tremper dans le liquide de nettoyage trop longtemps, même pendant le nettoyage. NE JAMAIS utiliser d'objets métalliques pour le nettoyage du pistolet.

### 5.1 PROCEDURE DE NETTOYAGE



En particulier, nettoyer complètement et soigneusement les conduits de peinture après l'emploi avec une peinture de deux composants.

Nettoyer tous les passages du produit et du chapeau. Pulvériser une petite quantité de liquide de nettoyage pour nettoyer les conduits de peinture. Un nettoyage incomplet peut provoquer des défauts à la forme du jet.

Nettoyer chaque section à l'aide d'une brosse imbibée de liquide de nettoyage et d'un chiffon absorbant. Ne jamais immerger complètement le pistolet dans le liquide de nettoyage, car cela peut endommager le produit. Pendant les opérations de nettoyage, faire attention à ne pas griffer les trous du chapeau, de la buse et de l'aiguille.

### 5.2 PROCEDURE DE DÉMONTAGE

1. Enlevez le chapeau d'air (1 or 1R) avec le réglage produit complètement ouvert, dévissez l'écrou hexagonal du réglage et enlevez le réglage produit (9), le ressort de piston (8), le ressort d'aiguille (7), puis extrayez l'aiguille (2-2) en ligne droite du corps du pistolet, pour protéger le joint d'aiguille (11). Pendant cette phase, veillez à ce que le réglage produit (9) ne soit pas expulsé brusquement car il est soumis à une forte pression exercée par le ressort d'aiguille (7) et le ressort de piston (8).

2. Après avoir retiré l'aiguille, dévissez la buse (2-1) et retirez-la de sa siège, retirez le protège aiguille (12) du joint d'aiguille, dévissez l'écrou hexagonal du joint d'aiguille (11) et retirez-le du corps du pistolet.

3. Pour retirer le piston (6-1), visser la section postérieure de l'aiguille (2-2) dans le piston (6-1) et retirez-le. Faire attention à ne pas endommager le joint de piston (6-2) et le joint torique pendant le démontage du piston. **IMPORTANT: Pendant le remontage de piston, appliquer de la graisse sur le joint de piston (6-2) et sur le joint torique (5-1), afin d'éviter des empêchements au mouvement de piston lui-même.**

4. Le siège du clapet d'air (5) peut être démonté à l'aide d'une clé à douille (14 mm) disponible dans le commerce. **Lors de cette opération, veiller à ne pas endommager le joint torique et le siège.**

Pour démonter l'ensemble du réglage produit (9) de la version **WIDER1A**, dévisser manuellement la partie moulée de la bague de réglage, tandis que dans le cas de la version **WA-200SP** & **WA-200FT INTEGRA**, dévisser la partie hexagonale de l'écrou de la bague à l'aide d'une clé appropriée.

### IMPORTANT:

**NE JAMAIS DÉMONTÉ LE BOUTON DU RÉGLAGE DE L'ENSEMBLE DE RÉGLAGE COMPLET.**

**LE DÉMONTAGE ET LE REMONTAGE DE L'ENSEMBLE RÉGLAGE PRODUIT, DOIVENT TOUJOURS ÊTRE EFFECTUÉS AVEC LE BOUTON DE RÉGLAGE COMPLETEMENT OUVERT.**

Pendant le montage de l'ensemble du réglage produit (9), appliquer de la graisse ou de l'huile sans silicone sur les filets de la bague avec le réglage complètement ouvert.

**IMPORTANT: AU REMONTAGE SUIVRE L'ORDRE INVERSE.**

### 5.3 RECOMMANDATIONS IMPORTANTES

- Le réglage du presse étoupe (11) doit toujours être effectué avec l'aiguille (2-2) montée, c'est à dire de la façon suivante : fermer manuellement par une rotation de 60 degrés environ, puis serrer à l'aide de la clé de montage. Lors du retrait du presse étoupe (11), veiller à ne pas laisser le morceau en plastique du joint d'aiguille dans le corps du pistolet.



**IMPORTANT:** Tout vissage excessif du presse étoupe (11) risque d'empêcher le mouvement de l'aiguille (2-2) avec la fuite conséquente de peinture par l'extrémité de la buse (2-1). Régler avec douceur le serrage du presse étoupe (11) en contrôlant le mouvement de l'aiguille (2-2). Si le vissage est encore excessif, répéter de nouveau l'opération.



Pour mettre en place l'ensemble de réglage aiguille (9), réglez-le en tournant le bouton de réglage de l'ensemble. La norme pour la fermeture complète du dispositif de réglage exige que l'espace entre le guide et le bouton de réglage soit de : **2 mm pour WIDER1A et 1 mm pour WA-200SP / WA-200FT INTEGRA et ZP2-A.**

Pendant le réglage, il est recommandé de ne pas trop serrer le réglage aiguille (9), car un serrage excessif pourrait entraîner une déformation de la buse.

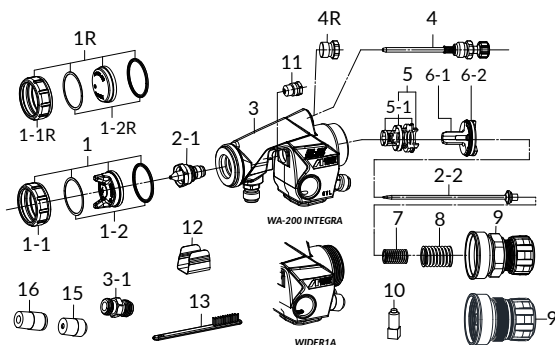
## 5.4 INSPECTIONS ET REMPLACEMENTS STANDARD

PARTIES À CONTRÔLER	PARTIES À REMPLACER
Chaque trou de passage du chapeau (1) et de la buse (2-1).	Remplacer s'ils sont écrasés ou déformés.
Joints et O'ring.	Remplacer s'ils sont déformés ou usés.
Pertes des sections des logements entre la buse (2-1) et l'aiguille (2-2).	Remplacer si les fuites ne s'arrêtent pas même après que la buse (2-1) et l'aiguille (2-2) ont été complètement nettoyées. Si seules la buse (2-1) et l'aiguille (2-2) sont remplacées, vérifier l'accouplement correct des deux et l'absence de fuites éventuelles.

## 6. PROBLEMES ET SOLUTIONS

PROBLEME	SOLUTIONS
<b>ABSENCE DE SORTIE DE PEINTURE</b>	
Réglage produit (9) pas assez ouvert.	Vérifier et nettoyer.
Trou de la buse (2-1) bouché.	Vérifier et nettoyer.
Résidus de peinture entre l'aiguille (2-2) et le joint d'aiguille (11).	Vérifier et nettoyer.
<b>ATOMISATION PAR INTERMITTENCE</b>	
Fuite d'air de la buse (2-1) et les logements du corps du pistolet.	Vérifier, nettoyer ou remplacer.
Fuite d'air du presse étoupe (11).	Serrer.
Fuite d'air du raccord du tuyau peinture.	Serrer.
Résidus de peinture dans le chapeau (1).	Nettoyer
<b>DEFAUTS DU JET</b>	
Buse (2-1) ou chapeau (1) incrustés de peinture.	Nettoyer soigneusement.
Buse (2-1) ou chapeau (1) endommagés.	Remplacer.
Buse (2-1) desserrée.	Serrer.
Viscosité peinture trop élevée ou trop basse.	Diluer la peinture ou augmenter la viscosité.
Le débit de la peinture est trop élevé ou trop faible.	Ajuster le bouton de réglage produit (9) pour réduire ou augmenter le débit.
<b>FUITES DE PEINTURE</b>	
Buse (2-1), aiguille (2-2) ou corps pistolet incrustés, endommagés ou usés dans les logements.	Vérifier, nettoyer ou remplacer.
Bouton de réglage produit (9) desserré.	Régler.
Ressort d'aiguille (7) abîmé.	Remplacer.
Buse (2-1) desserrée.	Serrer.
Presse étoupe (11) desserré, trop serré, sale ou usé.	Régler, nettoyer ou remplacer.
La surface de la siège de piston (6-1) il est sale, endommagé ou usé.	Nettoyer ou remplacer.
Le ressort de piston (8) est usé.	Remplacer.
Le joint de piston (6-2) est usé.	Remplacer.

## 7. PIÈCES DÉTACHÉES



REP.	DESCRIPTION	
1	CHAPEAU D'AIR	
1R	CHAPEAU D'AIR (WIDER-1AR)	
1-1	BAGUE CHAPEAU D'AIR	
1-2	JOINT CHAPEAU D'AIR	
2-1	BUSE	•
2-2	AIGUILLE	•
3	CORPS DU PISTOLET	
3-1	RACCORD D'AIR	
4	RÉGLAGE FORME DU JET	
4R	BOUCHON (WIDER-1AR)	
5	SIÈGE DU CLAPET D'AIR	
5-1	JOINT TORIQUE	•
6-1	PISTON	
6-2	JOINT DE PISTON	•
7	RESSORT D'AIGUILLE	
8	RESSORT DE PISTON	
9	RESSORT RÉGLAGE PRODUIT	
10	VIS DE FIXATION	
11	PRESSE ÉTOUPE	•
12	PROTÈGE AGUILLE	
13	BROSSE	
15	RACCORD TUYAU Ø 6 (CYL)	
16	RACCORD TUYAU Ø 8 (CAP)	

### COMBINAISON BUSE ET AIGUILLE

	BUSE		AIGUILLE
	Ø mm (in)	Marque	Marque
WIDER1A	0.8 (0.031)	W1/08	12H WIDER1A
	1.0 (0.039)	W1/10	
	1.3 (0.051)	W1/13	15H WIDER1A
	1.5 (0.059)	W1/15	
	0.5 (0.020)	W1/05	
WA-200SP (WB)	0.8 (0.031)	W2-2/V8-08	12H WIDER1A
	1.0 (0.039)	W2-2/V8-10	
	1.2 (0.047)	W2-2/V8-12	15H WIDER1A
	1.4 (0.055)	W2-2/V8-14	
1.6 (0.063)	W2-2/V8-16		
WA-200FT INTEGRA	0.6 (0.024)	W2/06	12H WIDER1A
	0.8 (0.031)	W2/08	
	1.0 (0.039)	W2/10	15H WIDER1A
	1.2 (0.047)	W2/12	
	1.5 (0.059)	W2/15	
ZP2-A	2.0 (0.079)	W2/20	20H WIDER2A
	2.5 (0.098)	W2/25	25H WIDER2A
	2.0 (0.079)	ZP2/20	---
	2.5 (0.098)	ZP2/25	

- Les parties signalées sont sujettes à usure.



**NE JAMAIS DEMONTER LE RACCORD PRODUIT DU CORPS DU PISTOLET!** Tout mauvais fonctionnement résultant de la suppression de ce pièce ne sera pas couvert par la garantie. En cas de remplacement, contactez directement notre Service Technique.



En phase de commande veuillez préciser le modèle du pistolet, le nom de la pièce de rechange avec la référence numérique, le sigle du chapeau, de la buse et de l'aiguille.

**IMPORTANTE:** Antes de la instalación, del uso, ajuste o mantenimiento, es importante leer atentamente este manual de instrucciones. Guarde este manual en un lugar seguro para consulta futura.

**CUMPLIMIENTO A LA NORMA ATEX**

Las pistolas automáticas de pintura ANEST IWATA cumplen a la Directiva 2014/34/EU relativa a los aparatos y a los sistemas de protección destinados al uso en atmósferas potencialmente explosivas.

MARCADO COMPLETO DE CUMPLIMIENTO: II 2 G Ex h IIB T6 Gb X +5°C ≤ Ta ≤ +40°C

MARCADO ABREVIADO PRESENTE EN LA PISTOLA: II 2 G Ex h X

	<b>Cumpla SIEMPRE con las advertencias y las precauciones indicadas en este manual de instrucciones.</b>		
Símbolo	SIGNIFICADO	Nivel de peligro	Consecuencias
	<b>ADVERTENCIA</b>	Situación potencialmente peligrosa.	Grave peligro para la salud y la vida del operador.
	<b>ATENCIÓN</b>		Riesgo moderado para el operador y el equipo.
	<b>IMPORTANTE</b>		Daños materiales.

**1. ESPECIFICACIONES TÉCNICAS**

MODELOS	WA-200SP	WA-200FT	ZP2-A	WIDER1A	WIDER1A R
Máxima presión aire de trabajo:	7.0 bar (100 PSI)				
Nivel de ruido (LAeqT)*	76.8 dB(A)	81.2 dB(A)	79.0 dB(A)	78.7 dB(A)	62.8 dB(A)
Conexión aire:	G1/4"			Conexión (CAP) ø 8 mm	Conexión (CYL) ø 6 mm
Conexión fluido:	G3/8"			G1/4"	
Temperatura máx:	Entorno: 5 ~ 40 °C - Aire/Fluido 5 ~ 43 °C				

\*Punto de medición: 1 m de la pistola, hacia atrás, altura 1.6 m.

**1.1 DATOS TÉCNICOS**

Modelos	ø mm	casquillo stilo	bar*	ml/min	NI/min	mm (in)	peso (g)			
<b>WA-200SP INTEGRA (Versión para Pinturas de Base Agua)</b>										
WA-200SP-08WB1P	0.8	WB1	1.6	200	340	360	420			
WA-200SP-10WB1P	1.0			250						
WA-200SP-12WB1P	1.2			300						
WA-200SP-14WB1P	1.4									
WA-200SP-16WB1P	1.6									
<b>WA-200FT INTEGRA</b>										
WA-200FT-08LV2	0.8	LV2	2.0	255	270	280	420			
WA-200FT-10LV2	1.0									
WA-200FT-12LV2	1.2									
WA-200FT-15LV2	1.5									
WA-200FT-08G2P	0.8							G2P	3.0	500
WA-200FT-10G2P	1.0									
WA-200FT-12G2P	1.2									
WA-200FT-15K2	1.5	K2	270	330	340					
WA-200FT-20R2	2.0	R2	400	360	320					
WA-200FT-25W1	2.5	W1	500	360	330					
<b>ZP2-A (Versión para Pinturas Abrasivas)</b>										
ZP2-A20	2.0	ZP2-R1Z	3.4	760	500	380	450			
ZP2-A25	2.5									
<b>WIDER1A</b>										
WIDER1A-08E2P	0.8	E2P	3.0	150	270	190	400			
WIDER1A-10E2P	1.0			200	270	220				
WIDER1A-10E1	1.0			E1	100	90		140		
WIDER1A-13H2	1.3	H2		250	260	230				
<b>WIDER1A R (Abanico Conico)</b>										
WIDER1A-05R	0.5	05R	3.0	20	40	35	400			

**2. ADVERTENCIAS DE SEGURIDAD**

**ADVERTENCIA:**

**RIESGO DE INCENDIO Y EXPLOSIONES**

No utilice **DISOLVENTES DE HIDROCARBONO HALOGENADO**, que pueden provocar grietas o fundir el cuerpo de la pistola de pulverización (aluminio) debido a reacciones químicas. **DISOLVENTES INADECUADOS:** cloruro de metileno, diclorometano, 1,2-dicloroetano, tetracloruro de carbono, tricloroetileno, 1,1,1-tricloroetano.

Se **prohíbe estrictamente la presencia de chispas y llamas expuestas**. Los productos utilizados pueden ser altamente inflamables y pueden causar incendios. No los exponga a artefactos eléctricos, llamas expuestas, cigarrillos, etc.

Conectar firmemente a tierra la pistola de pulverización utilizando la tubería de aire conductora. (Menor de 1MΩ). Verificar periódicamente la estabilidad de la puesta a tierra.

**PROTECCIÓN CORPORAL**

Utilice en un lugar bien ventilado, empleando la cabina de pulverización. La mala ventilación puede provocar envenenamiento por disolventes orgánicos o incendios.

Utilice prendas protectoras (gafas de protección, máscara, guantes) para evitar la inflamación de los ojos y de la piel. Si siente alguna molestia física, consulte a un médico de inmediato.

Use tapones si fuera necesario. El nivel de ruido puede superar los 80 dB(A), en función de las condiciones de funcionamiento y del lugar de trabajo.

**USO INADECUADO**

No apunte la pistola hacia personas o animales. No utilice una presión de trabajo ni una temperatura de funcionamiento superiores a las máximas.

Descargue siempre la presión de aire y fluido antes las operaciones de limpieza, desmontaje y mantenimiento. De no hacerlo así, la presión restante podría provocar lesiones personales debido al mal uso o a la difusión del líquido de limpieza. Para descargar la presión, cierre la alimentación del aire comprimido y de la pintura. Luego sólo suministre aire al pistón y descargue el material por medio de la aguja. Esta operación parará automáticamente el aire comprimido.

La **extremidad de la aguja es cortante**. Para evitar accidentes, no toque la punta durante el mantenimiento.

No **pulverice nunca productos alimenticios o químicos con esta pistola**. Si lo hace, elementos extraños podrían causar la erosión de los pasos del fluido, dañar la pistola y perjudicar la salud.

No **modifique nunca la pistola de pulverización**, para evitar daños que podrían afectar la calidad del resultado.

En caso de problemas de funcionamiento, suspenda inmediatamente las operaciones de pulverización para localizar la avería. No utilice nuevamente el producto mientras el problema no esté resuelto.

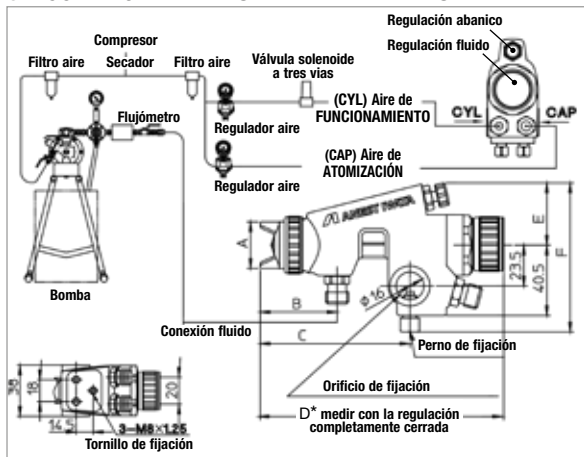
No **entre nunca en las zonas de trabajo de los equipos (robots, reciprocadores, etc.) mientras no se hayan desactivado**. De lo contrario, el contacto con los equipos en funcionamiento podría ser la causa de accidentes e lesiones.

**3. CONEXIÓN**

	<b>ATENCIÓN:</b> Para alimentar la pistola, utilice aire filtrado y seco. El uso de aire no filtrado podría causar defectos durante las operaciones de pintura.
Cuando utilice por primera vez la pistola apenas comprada, limpie los conductos de material pulverizando un detergente compatible, para eliminar el aceite de protección contra la oxidación. De lo contrario, el aceite residual podría causar un mal funcionamiento de la pistola con los consiguientes defectos de pintura.	
Utilice una válvula de solenoide de tres vías con un diámetro de la sección interna superior a ø 4 mm y un tubo del aire con un diámetro interno superior a ø 6 mm y largo inferior a 10 m. En caso contrario, si el diámetro de la válvula solenoide es demasiado pequeño y el tubo del aire entre la válvula y la pistola es demasiado largo, las operaciones pueden ser más lentas.	
Conecte firmemente el tubo en la pistola, para evitar que la desconexión o las pérdidas durante las operaciones de pulverización provoque lesiones graves a las personas.	
1.	Fijar la pistola a el codillo de fijación, dirigir el chorro de pulverización y bloquee la pistola en la posición correcta por medio del perno de fijación.

- Conecte firmemente el tubo del aire de pulverización en el lado del aire marcado por CAP, y el tubo del aire de funcionamiento en el lado del aire marcado por CYL.
- Conectar firmemente la tubería del fluido a la conexión del fluido.
- Suministre detergente a la pistola automática y pulverice para limpiar los conductos de pintura.
- Suministre pintura a la pistola automática, verifique el chorro y ajuste el volumen del aire, el caudal del material y el abanico según sus exigencias.

### 3.1 CONEXIÓN DE LA TUBERÍA AIRE Y PINTURA



#### Dimensiones

MODELOS	A	B	C	D*	E	F
WA-200SP INTEGRA	30.5	46.5	89	160	36	77.5
WA-200FT INTEGRA						
ZP2-A						
WIDER1A	27	43.5	85.5	158	36	76.5
WIDER1A R	27	36.5	79	151.5	35	75.5

### 3.2 REEMPLAZO DE LAS CONEXIONES OPCIONALES EN LA WIDER1A

Del cuerpo de la pistola, retire el injerto rápido de atomización (firmado CAP) para tubos de  $\varnothing$  8 mm (diámetro externo) y el injerto rápido para el funcionamiento (marcado CYL) para tubos de  $\varnothing$  6 mm (diámetro externo), y sustituirlos respectivamente con las conexiones roscadas opcionales incluidas en el embalaje del producto.

SIEMPRE ASEGÚRESE DE FIJAR FIRMEMENTE LAS CONEXIONES ROSCADAS AL CUERPO DE LA PISTOLA.

## 4. CÓMO OPERAR

- Ajuste la presión aire de funcionamiento (CYL) entre los 3 y los 4 bar (57 y 71 PSI).

**NOTA:** El diámetro interno de la válvula de solenoide de tres vías debería ser  $\varnothing$  4 mm (0.157 in) como mínimo; el largo del tubo del aire de funcionamiento no debería sobrepasar los 10 m (32.8 ft) y su diámetro interno debería ser mayor de  $\varnothing$  6 mm (0.236 in) para evitar retrasos durante las operaciones y defectos en las aplicaciones.

- La presión de atomización aire varía según las aplicaciones. Ajuste-la manteniendo el pistón presionado con la regulación abanico completamente abierta y registrando la presión de acuerdo con las indicaciones en la tabla de especificaciones técnicas.
- La viscosidad de la pintura aconsejada varía según las características de la pintura misma y las condiciones de trabajo. Se recomienda entre 15 y 23 segundos Ford Cup # 4.
- Ajuste la distancia entre la pistola automática y la pieza a procesar según el modelo de pistola: **WIDER1A y WIDER1A R:** 150–200 mm (5.9–7.9 in) | En el caso de la serie **WA-200SP / WA-200FT INTEGRA / ZP2-A:** 200–250 mm (7.9–9.8 in).

## 5. MANTENIMIENTO Y REVISIÓN

### ADVERTENCIA:



Antes de comenzar cualquier operación de revisión o de mantenimiento, lea y respete siempre escrupulosamente todas las indicaciones de las ADVERTENCIAS DE SEGURIDAD

No utilice nunca componentes o piezas de recambio que no sean originales ANEST IWATA.

No estropee nunca los orificios del casquillo aire, del pico fluido ni las extremidades de la aguja.

No sumerja nunca completamente la pistola en líquidos como el disolvente.

No deje nunca el casquillo aire sumergida en el líquido de limpieza durante un periodo prolongado, ni siquiera durante la limpieza.

### 5.1 OPERACIÓN DE LIMPIEZA



Los conductos del fluido se deben limpiar cuidadosamente después del uso, sobre todo después del uso con pinturas bicomponentes. Una limpieza incompleta puede causar defectos en la forma del abanico.

Limpie todos los conductos del material y del grupo del casquillo aire. Pulverice una pequeña cantidad de detergente para limpiar los conductos de la pintura. Una limpieza incompleta puede causar defectos en la forma del abanico.

Limpie cada sección utilizando la escobilla entregada embebida en detergente y secar con un paño absorbente. Nunca sumerja completamente la pistola en el detergente. Durante las operaciones de limpieza, tenga mucho cuidado con no rayar los orificios del grupo del casquillo aire, del pico fluido o la aguja.

### 5.2 PROCEDIMIENTO DE DESMONTAJE

LIMPIE SIEMPRE LOS CONDUCTOS DE PINTURA ANTES DE DESMONTAR LA PISTOLA.

- Retire el casquillo aire, con la regulación fluido completamente abierta, desatornille la tuerca hexagonal y retire la regulación fluido (9), el muelle del pistón (8), el muelle de la aguja (7), luego extraiga la aguja (2-2) en línea recta desde el cuerpo de la pistola, para proteger la junta aguja (11). Durante esta fase, asegúrese de que la regulación fluido (9) no se empuja abruptamente, ya que está sujeto a una fuerte presión por el muelle de la aguja (7) y el muelle del pistón (8).
  - Después de quitar la aguja (2-2), desenrosque el pico fluido (2-1) y quitarlo de su asiento, quitar la protección (12) de la junta aguja, desenrosque la tuerca hexagonal de la junta aguja (11) y sacarla del cuerpo de la pistola.
  - Para quitar el pistón (6-1), atornille la sección trasera de la aguja (2-2) en el pistón (6-1) y extráigalo. Tenga cuidado de no dañar la junta del pistón (6-2) y la junta tórica durante la extracción. **IMPORTANTE: Al volver a montar el pistón, aplique grasa a la junta del pistón (6-2) y a la junta tórica (5-1), para evitar impedimentos al movimiento del pistón mismo.**
  - El asiento de la válvula de aire (5) se puede desmontar con una llave de tubo disponible en el mercado (14 mm). Durante esta operación, tenga cuidado de no dañar la junta tórica y la sección del asiento.
  - Para desmontar el grupo regulación aguja (9) de la versión **WIDER1A**, desenrosque manualmente la parte moleteada de la virola de ajuste, mientras que en el caso de la versión **WA-200SP & WA-200FT INTEGRA**, desenrosque la parte hexagonal de la virola tuerca con la ayuda de una llave adecuada.
- 5. IMPORTANTE: NUNCA DESMONTA LA PERILLA DEL GRUPO DE REGULACIÓN AGUJA COMPLETO. EL DESMONTAJE Y MONTAJE DEL CONJUNTO DE REGULACIÓN AGUJA DEBE EFECTUARSE SIEMPRE CON LA PERILLA DE REGULACIÓN TOTALMENTE ABIERTA.**
- Durante el montaje del grupo regulación aguja (9), aplique grasa o aceite sin silicona en las roscas de la virola con el ajuste completamente abierto.

**IMPORTANTE: PARA MONTAR NUEVAMENTE EFECTÚE LAS OPERACIONES EN EL ORDEN DECRECIENTE.**

### 5.3 RECOMENDACIONES IMPORTANTES



La regulación del grupo de las juntas de la aguja (11) siempre se debe llevar a cabo con la aguja (2-2) montada y de la manera siguiente: cierre manualmente y luego apriete con la llave adecuada girando 1/6 de vuelta (60 grados) aproximadamente. Quitando el grupo de las juntas de la aguja (11), no deje la pieza de plástico de la junta de la aguja en el cuerpo.

**IMPORTANTE:** Un apriete excesivo del grupo de las juntas de la aguja (11) puede impedir el movimiento de la aguja (2-2) con la consiguiente fuga de pintura por la extremidad del pico fluido (2-1). Regule lentamente, controlando el movimiento de la aguja (2-2). Si estuviera demasiado apretado, desenrosque y enrósquelo de nuevo cuidadosamente.

**Cuando reemplace el pico fluido (2-1) y la aguja (2-2),** verificar el acoplamiento de ambos y comprobar que no hayan eventuales pérdidas de aire o de pintura del pico fluido durante el uso de la pistola.



Para ajustar el grupo regulación aguja (9), configúrelo girando la perilla de ajuste del conjunto. La norma para el cierre completo del ajustador exige que el espacio entre la guía y la perilla sea de: **2 mm para WIDER1A y 1 mm para WA-200SP/ WA-200FT INTEGRA y ZP2-A.**

Durante el ajuste, se recomienda no apretar demasiado la regulación, ya que su exceso de ajuste podría causar la deformación del pico fluido.

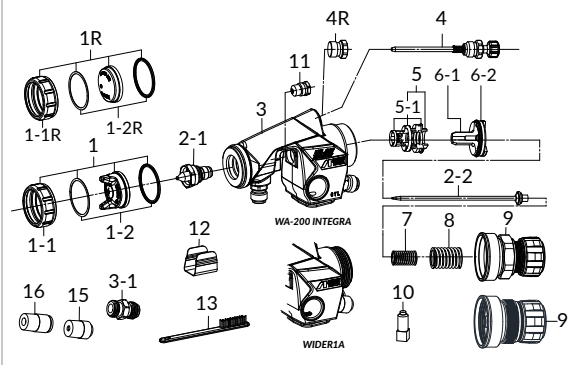
### 5.4 REVISIÓN Y REEMPLAZO ESTÁNDAR

PIEZAS A CONTROLAR	PIEZAS A REEMPLAZAR
Todos los orificios de salida del casquillo aire (1) y del pico fluido (2-1).	Reemplazar si están aplastados o deformados.
Juntas y junta tórica.	Reemplazar si están aplastadas o deformadas
Fugas en los asientos entre el pico fluido (2-1) y la aguja (2-2).	Reemplazar si las fugas no se eliminan ni siquiera después de limpiar perfectamente el pico fluido (2-1) y la aguja (2-2). Si se reemplazan sólo el pico (2-1) y la aguja (2-2), se debe comprobar el correcto acoplamiento de las dos piezas y se debe controlar de la ausencia de fugas.

### 6. PROBLEMAS, CAUSAS Y SOLUCIONES

PROBLEMAS	SOLUCIONES
<b>NO SALE PINTURA</b>	
Tuerca de regulación fluido (9) abierta de manera insuficiente.	Controlar y regular.
Orificio del pico fluido (2-1) obstruido.	Controlar y limpiar.
Depósitos de pintura entre l'aguja (2-2) y la junta aguja (11).	Controlar y limpiar.
<b>PULVERIZACIÓN INTERMITENTE</b>	
Pérdida de aire por el pico fluido (2-1).	Controlar, limpiar o reemplazar
Pérdida de aire por el grupo juntas aguja (11).	Apretar.
Pérdida de aire por la conexión de la tubería de la pintura.	Apretar.
Depósito de pintura en el casquillo aire (1).	Limpiar.
<b>DEFECTOS DEL ABANICO</b>	
Pico fluido (2-1) o casquillo aire (1) con pintura incrustada.	Limpiar esmeradamente.
Pico fluido (2-1) o casquillo aire (1) dañados.	Reemplazar.
Pico fluido (2-1) flojo.	Apretar.
Viscosidad de la pintura demasiado alta o baja.	Diluir la pintura o aumentar la viscosidad.
Caudal de la pintura demasiado alto o bajo.	Ajustar la tuerca de regulación (9) para disminuir o aumentar el caudal.
<b>PÉRDIDA DE PINTURA</b>	
Pico fluido (2-1), aguja (2-2) o cuerpo pistola, con pintura encostrada, estropeados o con el asiento desgastado.	Controlar, limpiar o reemplazar.
Tuerca de regulación fluido (9) floja.	Regular.
Muelle de presión aguja (7) desgastado.	Reemplazar.
Pico fluido (2-1) flojo.	Apretar.
Grupo juntas aguja (11) demasiado estrecho, sucio o desgastado.	Regular, limpiar o reemplazar.
Superficie del asiento del grupo pistón (6-1) sucia, estropeada o desgastada.	Limpiar o reemplazar si hace falta.
El muelle del pistón (8) está des gastado.	Reemplazar.
La junta del pistón (6-2) está desgastada.	Reemplazar.

### 7. PIEZAS DE RECAMBIO



POS.	DESCRIPCIÓN	
1	CASQUILLO AIRE	
1R	CASQUILLO AIRE (WIDER-1AR)	
1-1	COBERTURA	
1-2	JUNTA CASQUILLO AIRE	
2-1	PICO FLUIDO	•
2-2	AGUJA	•
3	CUERPO PISTOLA	
3-1	CONEXIÓN AIRE	
4	GRUPO REGULACIÓN ABANICO	
4R	TAPÓN (WIDER-1AR)	
5	ASIENTO VÁLVULA AIRE	
5-1	JUNTA TÓRICA	•
6-1	PISTÓN	
6-2	JUNTA PISTÓN	•
7	MUELLE PRESIÓN AGUJA	
8	MUELLE PISTÓN	
9	GRUPO REGULACIÓN AGUJA	
10	TUERCA DE FIJACIÓN	
11	CARTUCHO JUNTA AGUJA	•
12	PROTECCIÓN	
13	ESCOBILLA	
15	INJERTO RÁPIDO Ø 6 (CYL)	
16	INJERTO RÁPIDO Ø 8 (CAP)	

### COMBINACIONES - PICO FLUIDO Y AGUJA

	PICO FLUIDO		AGUJA
	Ø mm (in)	Tipo	Tipo
WIDER1A	0.8 (0.031)	W1/08	12H WIDER1A
	1.0 (0.039)	W1/10	
	1.3 (0.051)	W1/13	15H WIDER1A
	1.5 (0.059)	W1/15	
	0.5 (0.020)	W1/05	
WA-200SP (WB)	0.8 (0.031)	W2-2/V8-08	12H WIDER1A
	1.0 (0.039)	W2-2/V8-10	
	1.2 (0.047)	W2-2/V8-12	15H WIDER1A
	1.4 (0.055)	W2-2/V8-14	
	1.6 (0.063)	W2-2/V8-16	
WA-200FT INTEGRA	0.6 (0.024)	W2/06	12H WIDER1A
	0.8 (0.031)	W2/08	
	1.0 (0.039)	W2/10	15H WIDER1A
	1.2 (0.047)	W2/12	
	1.5 (0.059)	W2/15	
ZP2-A	2.0 (0.079)	W2/20	20H WIDER2A
	2.5 (0.098)	W2/25	25H WIDER2A
	2.0 (0.079)	ZP2/20	---
	2.5 (0.098)	ZP2/25	---

• Las piezas marcadas son piezas sometidas a desgaste.



**NUNCA quite la conexión de fluido del cuerpo de la pistola.** Cualquier avería resultante a causa de quitar estas partes no será cubierta por la Garantía. En caso de necesitar reemplazar estas partes contacte directamente con el Servicio Técnico.



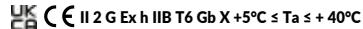
Durante la fase de pedido se ruega especificar siempre el modelo de la pistola, el nombre del recambio con su número de referencia, y la sigla del casquillo de aire, del pico fluido y de la aguja.

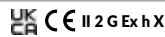





**IMPORTANTE:** Antes de la instalación, del uso, ajuste o mantenimiento, es importante leer atentamente este manual de instrucciones. Guarde este manual en un lugar seguro para consulta futura.

#### CONFORMIDADE COM AS NORMAS ATEX

As pistolas automáticas para pintura ANEST IWATA são marcadas segundo a Directiva Atex 2014/34/EU, relativa a equipamentos destinados a ser utilizados em atmosferas potencialmente explosivas.

ARCAÇÃO DE CONFORMIDADE COMPLETA: 

MARCAÇÃO DE CONFORMIDADE ABREVIADA NA PISTOLA: 

	<b>Assegure-se de respeitar SEMPRE as advertências para a segurança, contidas no manual de instruções acima mencionado.</b>		
Símbolo	SIGNIFICADO	NÍVEL DE PERIGO	CONSEQUÊNCIAS
	<b>ADVERTÊNCIAS CUIDADO</b>	SITUAÇÃO POTENCIALMENTE PERIGOSA	Riscos graves para a saúde e a vida do operador. Riscos moderados para o produto e o operador. Danos materiais.
	<b>IMPORTANTE</b>		

## 1. ESPECIFICAÇÕES TÉCNICAS








MODELO	WA-200SP	WA-200FT	ZP2-A	WIDER1A	WIDER1A R
Máx. pressão ar de utilização:	7.0 bar (100 PSI)				
Ruído (LAeqT)*:	76.8 dB(A)	81.2 dB(A)	79.0 dB(A)	78.7 dB(A)	62.8 dB(A)
Conector de ar:	G1/4"		Conector (CAP) ø 8 mm Conector (CYL) ø 6 mm		
Conector de fluido:	G3/8"		G1/4"		
Temperatura Máxima:	Ambiente 5 ~ 40 °C / Ar-Fluído 5 ~ 43 °C				

\*Ponto de medição: 1 m atrás da pistola, 1,6 m de altura.

### 1.1 DADOS TÉCNICOS

Modelos	ø mm	espalhador	bar*	ml/min	NI/min	mm (in)	peso (g)			
<b>WA-200SP INTEGRA (Versão para Tintas à Base de Água)</b>										
WA-200SP-08WB1P	0.8	WB1	1.6	200	340	360	420			
WA-200SP-10WB1P	1.0			250						
WA-200SP-12WB1P	1.2			300				380		
WA-200SP-14WB1P	1.4									
WA-200SP-16WB1P	1.6								340	
<b>WA-200FT INTEGRA</b>										
WA-200FT-08LV2	0.8	LV2	2.0	255	270	280	420			
WA-200FT-10LV2	1.0									
WA-200FT-12LV2	1.2									
WA-200FT-15LV2	1.5									
WA-200FT-08G2P	0.8							G2P	3.0	500
WA-200FT-10G2P	1.0									
WA-200FT-12G2P	1.2									
WA-200FT-15K2	1.5	K2	270	330	340					
WA-200FT-20R2	2.0	R2	400	360	320					
WA-200FT-25W1	2.5	W1	500	330	330					
<b>ZP2-A (Versão para Tintas Abrasivas)</b>										
ZP2-A20	2.0	ZP2-R1Z	3.4	760	500	380	450			
ZP2-A25	2.5									
<b>WIDER1A</b>										
WIDER1A-08E2P	0.8	E2P	3.0	150	270	190	400			
WIDER1A-10E2P	1.0			200	270	220				
WIDER1A-10E1	1.0			E1	100	90		140		
WIDER1A-13H2	1.3			H2	250	260		230		
<b>WIDER1A R (com Leque Cônicos)</b>										
WIDER1A-05R	0.5	05R	3.0	20	40	35	400			

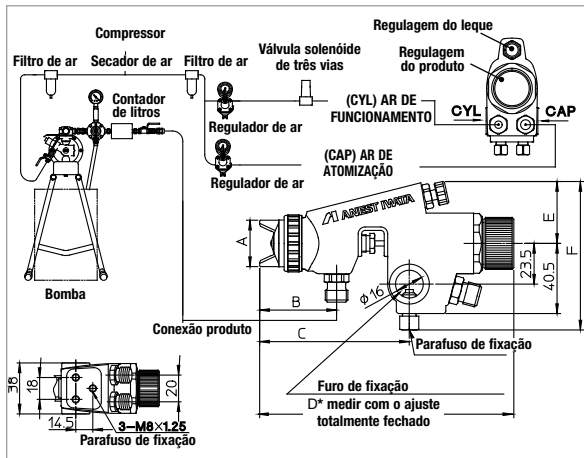
## 2. ADVERTÊNCIAS DE SEGURANÇA

<b>ADVERTÊNCIAS:</b>		
<b>RISCOS DE INCÊNDIOS E EXPLOSÕES</b>		
Nunca utilize SOLVENTES HIDROCARBONETOS HALOGENADOS, que poderiam causar danos e dissolução das partes em alumínio do corpo da pistola, provocados por reações químicas. SOLVENTES INCOMPATÍVEIS: cloro de metileno, diclorometano, 1,2-dicloroetano, tetracloreto de carbono, tricloroetileno, 1.1.1-tricloroetano.		
É estritamente proibido produzir chamas livres e faíscas. Os produtos utilizados podem ser muito inflamáveis e, portanto, provocar graves incêndios, como, por exemplo, fumar, provocar faíscas ou qualquer risco eléctrico.		
Ligue correctamente ao fio de terra a pistola para a pintura, utilizando um tubo de condução do ar (<1MΩ). Controle periodicamente a estabilidade da ligação ao fio de terra.		
<b>RISCOS PARA A SAÚDE</b>		
Utilize a pistola para a pintura em ambientes correctamente ventilados, usando a cabine de pintura. Uma ventilação não adequada ou insuficiente poderia provocar uma intoxicação devido a solventes orgânicos ou causar incêndios.		
Vista sempre roupa de protecção (óculos de protecção, máscara, luvas). Para evitar que o contacto com os materiais irritantes possa provocar inflamações nos olhos e na pele. Caso houver mesmo o mínimo risco de dano físico, consulte imediatamente um médico.		
Se for necessário, use tampões de ouvidos. O nível de ruído pode ultrapassar os 80 dB(A) e depende das condições de utilização e da área de trabalho.		
<b>RISCOS DE USO IMPRÓPRIO</b>		
NUNCA aponte a pistola em direcção de pessoas ou animais.		
NUNCA ultrapasse a pressão ou a temperatura máxima de utilização.		
Descarregue sempre a pressão do ar e do material, antes das operações de limpeza, montagem e manutenção. Ao contrário, a pressão residual poderia causar feridas no corpo provocadas por operações não correctas ou pela pulverização dos líquidos usados para a limpeza. Para descarregar a pressão, feche a alimentação do ar comprimido e da tinta. Depois, alimente de ar somente o pistão e descarregue o material, operando na agulha. Esta acção provocará a paragem automática do ar comprimido.		
A ponta da agulha do produto é afiada. Para não correr o risco de ferir-se, não toque a agulha durante as operações de manutenção.		
Nunca pulverize produtos alimentares ou químicos com esta pistola. Ao contrário, a mistura de substâncias estranhas poderia causar a corrosão das passagens da tinta, com consequentes danos na pistola e riscos para a saúde.		
Nunca modifique a pistola para pintura, para evitar danificações que poderiam prejudicar a qualidade do resultado.		
No caso de mau funcionamento interrompa imediatamente as operações de pintura para a procura da avaria. Não utilize novamente o produto até ter resolvido o problema.		
Nunca entre nas áreas de trabalho dos equipamentos (p. ex., robô, reciprocadores, etc.) até as mesmas forem desactivadas. Ao contrário, o contacto com os equipamentos em função poderia causar acidentes e ferimentos.		
<b>3. CONEXÃO</b>		
		<b>CUIDADO:</b>
Para alimentar a pistola utilize ar filtrado e seco. O uso de ar não filtrado pode causar defeitos de pintura.		
Ao usar a pistola pela primeira vez após a compra, limpe as passagens de tinta pulverizando um limpador compatível para remover o óleo anti-ferrugem. Ao contrário, o óleo residual pode provocar uma avaria do aparelho com consequentes defeitos de pintura.		
Utilize uma válvula solenóide de três vias, cujo diâmetro da secção interna deve ser maior de ø 4 mm e uma tubulação de ar com um diâmetro interno maior de ø 6 mm e com comprimento não superior a 10 m. Ao contrário, uma válvula solenóide com um diâmetro demasiado pequeno e uma tubulação de ar de comprimento excessivo entre a válvula e a pistola, poderiam causar atrasos nas operações.		
Conecte solidamente a tubulação à pistola, para evitar que a desconexão da mesma ou os vazamentos durante as operações de pintura provoque feridas graves no corpo.		
1.	Monte a pistola no suporte de fixação, direcione o jacto de pintura e bloqueie a pistola na posição correcta, mediante o parafuso de fixação.	
2.	Conecte solidamente a tubulação de ar de atomização ao lado ar com a sigla CAP e a tubulação de ar de funcionamento ao lado de ar com a sigla CYL.	



3. Conecte solidamente o tubo material ao conector do produto.
4. Alimente a pistola automática com detergente compatível e pulverize para limpar as passagens da tinta.
5. Alimente a pistola automática com a tinta, verifique a pulverização e regule o volume do ar, a vazão do material e o leque, conforme as exigências.

### 3.1 CONEXÃO DO TUBO DE AR E DA TINTA



#### Dimensões

MODELOS	A	B	C	D*	E	F
WA-200SP INTEGRA	30,5	46,5	89	160	36	77,5
WA-200FT INTEGRA						
ZP2-A						
WIDER1A	27	43,5	85,5	158	36	76,5
WIDER1A R	27	36,5	79	151,5	35	75,5

### 3.2 SUBSTITUINDO CONEXÕES ROSCADAS OPCIONAIS NA WIDER1A

Do corpo da pistola, retirar o conexão rápido do ar de atomização (marcado CAP) para tubos de  $\varnothing$  8 mm (diâmetro externo) e o conexão rápido do ar de operação (marcado CYL) para tubos de  $\varnothing$  6 mm (diâmetro externo), e substituí-los respectivamente com as conexões roscadas opcionais incluídas na embalagem do produto.

**SEMPRE CERTIFIQUE-SE DE FIXAR FIRMEMENTE AS CONEXÕES ROSCADAS AO CORPO DA PISTOLA.**

### 4. COMO OPERAR

1. Regule a pressão do ar de funcionamento (CYL) entre 3 e 4 bares (43–57 PSI).

**NOTA:** O diâmetro interno da válvula solenóide de três vias deveria medir no mínimo  $\varnothing$  4 mm (0,157 in) e o comprimento do tubo de ar de funcionamento não deveria ser maior de 10 m (32,8 ft) e ter um diâmetro interno maior de  $\varnothing$  6 mm (0,236 in) para evitar atrasos durante as operações e defeitos nas aplicações.

2. A pressão de atomização do ar varia de acordo com as aplicações. Para ajustá-lo, é necessário manter pressionado o pistão com o ajuste do leque completamente aberto e registrá-lo de acordo com as indicações na tabela de especificações técnicas.
3. A correta viscosidade da tinta depende das propriedades da pintura e das condições de pintura; se recomenda entre 15 e 23 segundos Ford Cup#4.
4. Calibre a distância de pulverização entre a pistola e a peça de trabalho entre: **150–200 mm (5,9–7,9 in)** no caso da **WIDER1A** e **WIDER1A R**, entre **200–250 mm (7,9 a 9,8 in)** no caso da **WA-200SP / WA-200FT INTEGRA / ZP2-A**.

### 5. MANUTENÇÃO E INSPEÇÃO



#### ADVERTÊNCIAS:

Antes de proceder a qualquer operação de inspeção e manutenção, leia sempre e respeite escrupulosamente todas as indicações sobre as Advertências de segurança. Nunca utilize outros componentes ou peças sobresselentes que não sejam aqueles originais da ANEST IWATA.

Nunca danifique os furos do bico do ar, do bico do produto e a extremidade da agulha.

Nunca mergulhar completamente a pistola nos líquidos como os solventes.

Nunca deixe imerso o bico do ar no líquido de limpeza por um período prolongado, também durante a limpeza.

#### 5.1 PROCEDIMENTO DE LIMPEZA



As passagens do material devem ser cuidadosamente limpas após cada utilização da pistola e especialmente após o uso de tintas de dois componentes. Uma limpeza incompleta poderia causar defeitos à forma do leque.

Limpe todas as passagens do material e do espalhador. Pulverize uma pequena quantidade de detergente para limpar as passagens da tinta. Uma limpeza incompleta pode provocar defeitos à forma do leque.

Limpe cada seção com uma escova humedecida de detergente e um pano absorvente. Nunca mergulhar completamente a pistola no detergente, dado que isso poderia causar danos ao produto. Durante a limpeza evite arranhar as superfícies dos furos do bico do ar, do bico do material e a agulha.

#### 5.2 DESMONTAGEM E MONTAGEM

**ANTES DA DESMONTAGEM DA PISTOLA LIMPE SEMPRE TODAS AS PASSAGENS DA TINTA.**

1. Remova o espalhador, com o ajuste do produto completamente aberto, desenrosque a porca hexagonal de ajuste e remova o conjunto de ajuste do produto (9), a mola do pistão (8), a mola da agulha (7) em seguida, extraia a agulha (2-2) em linha reta do corpo da pistola, para proteger o conjunto de juntas da agulha (11). Preste atenção para que o ajuste da agulha (7) não seja empurrado para fora bruscamente, dado que está sujeito a uma forte pressão devido à mola da agulha (7) e à mola do pistão (8).
2. Depois de retirar a agulha, desenrosque o bico do produto (2-1) e retire-o da caixa, retire a proteção (12) da junta da agulha, desenrosque a porca hexagonal da junta agulha (11) e tire-a do corpo da pistola.
3. Para remover o pistão (6-1), aperte a parte traseira da agulha (2-2) no pistão e puxe-a para fora. Tenha cuidado para não danificar a junta do pistão (6-2) e o O'ring durante a remoção. **IMPORTANTE: Ao remontar o pistão, aplique graxa na junta do pistão (6-2) e O'ring (5-1), para evitar impedimentos ao movimento do pistão.**
4. A sede da válvula de ar (5) pode ser desmontada usando uma chave de soquete disponível comercialmente (14 mm). Durante esta operação, tenha cuidado para não danificar o O-ring e a seção do assento.
5. Para desmontar o conjunto de ajuste agulha (9) da versão **WIDER1A**, desaperte manualmente a parte serrilhada da porca do anel de ajuste, enquanto no caso da versão **WA-200SP & WA-200FT INTEGRA**, desaparafuse a parte hexagonal do anel porca com o auxílio de uma chave adequada. **IMPORTANTE:**
  - **NUNCA DESMONTA O BOTÃO DO CONJUNTO COMPLETO DE REGULAÇÃO.**
  - **A DESMONTAGEM E A MONTAGEM DO CONJUNTO DE REGULAÇÃO DA AGULHA DEVEM SER REALIZADAS SEMPRE COM O BOTÃO DE REGULAÇÃO COMPLETAMENTE ABERTO.**

Durante o montagem do conjunto de regulação da agulha (9) aplique graxa ou óleo sem silicose nas roscas do anel de regulação com a regulação totalmente aberta.

**IMPORTANTE: PARA REMONTAR, PROCEDA NO MODO INVERTIDO.**

#### 5.3 RECOMENDAÇÕES IMPORTANTES



A regulação do conjunto de juntas da agulha (11) deve sempre ser efectuada com a agulha (2-2) montada e na seguinte maneira: feche manualmente e depois aperte com a chave apropriada por cerca de 1/6 de rotação (60 graus). Quando remover o conjunto de juntas da agulha (11), não deixe a peça de plástico do conjunto de juntas da agulha dentro do corpo.

**IMPORTANTE:** Um aperto excessivo do conjunto de juntas da agulha (11), pode provocar um impedimento no movimento da agulha (2-2), com consequente vazamento de tinta da extremidade do bico do produto (2-1). Regule lentamente, controlando o movimento da agulha (2-2). Se regular excessivamente apertado, desaperte-o completamente e aperte-o novamente com cuidado.

Ao substituir o bico do produto (2-1) e a agulha (2-2), verifique o acoplamento correto de ambos para evitar qualquer vazamento de tinta do bico do produto, durante as operações de pintura.





Para ajustar o conjunto de ajuste da vareta (9), ajuste-o girando o botão de ajuste do conjunto. O padrão para fechamento completo do ajustador exige que o espaço entre a guia e o botão seja: 2 mm para WIDER1A e 1 mm para WA-200SP / WA-200FT INTEGRA e ZP2-A.

Durante a regulagem é recomendado não apertar demais a regulagem, pois seu aperto excessivo pode causar deformação no bocal do material.

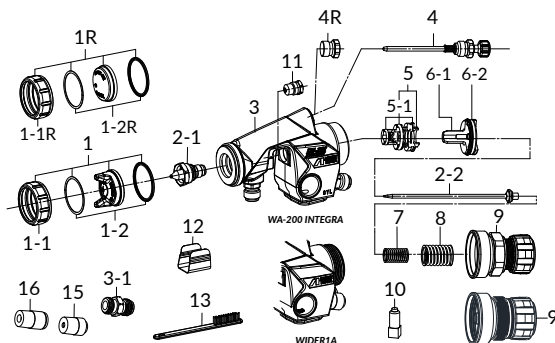
#### 5.4 INSPEÇÕES E SUBSTITUIÇÕES PADRÕES

PEÇAS A CONTROLAR	PEÇAS A SUBSTITUIR
Cada furo de passagem do espalhador (1) e do bico do produto (2-1).	Substitua se forem esmagados ou deformados.
Juntas e O'ring.	Substitua se forem deformadas ou desgastadas.
Vazamentos das secções das sedes entre o bico do produto (2-1) e a agulha (2-2).	Substitua-os se os vazamentos não param mesmo após que o bico do produto (2-1) e a agulha (2-2) forem completamente limpos. Se substituir somente o bico do produto (2-1) e a agulha (2-2), verifique o correcto acoplamento de ambos e certifique-se que não tenham eventuais vazamentos.

#### 6. PROBLEMAS, CAUSAS E SOLUÇÕES

PROBLEMAS	SOLUÇÕES
<b>FALTA DE SAÍDA DE TINTA</b>	
 Botão de ajuste do produto (9) não suficientemente aberto.	Verifique e ajuste.
Furo do bico do produto (2-1) obstruído.	Verifique e limpe.
Acúmulo de tinta entre a agulha (2-2) e o conjunto da juntas da agulha (11).	Verifique e limpe.
<b>ATOMIZAÇÃO A INTERMITÊNCIA</b>	
 Vazamento de ar do bico do produto (2-1).	Verifique, limpe ou substitua.
Vazamento de ar da junta da agulha (11).	Aperte.
Vazamento de ar do junção do tubo da tinta.	Aperte.
Resíduos de tinta no espalhador (1).	Limpe.
<b>DEFEITOS NO LEQUE</b>	
 Bico do produto (2-1) ou espalhador (1) incrustados da tinta.	Limpe-os cuidadosamente.
Bico do produto (2-1) ou espalhador (1) danificados.	Substitua-os.
Bico do produto (2-1) afrouxado.	Aperte.
Viscosidade da tinta demais elevada ou demais baixa.	Dilua a tinta ou aumente a viscosidade.
O fluxo da tinta demais elevado ou demais baixo.	Actue no botão ajuste do produto (9) para reduzir ou aumentar o fluxo.
<b>VAZAMENTO DA TINTA</b>	
 Bico do produto (2-1), agulha (2-2) ou corpo, incrustados danificados ou desgastados na sede.	Verifique, limpe ou substitua.
Botão ajuste do produto (9) afrouxado.	Ajuste.
Mola da agulha (7) desgastada.	Substitua-a.
Bico do produto (2-1) afrouxado.	Aperte.
Junta da agulha (11) afrouxada, demais estreita, suja ou desgastada.	Ajuste, limpe ou substitua.
A superfície do assento do pistão (6-1) está suja, danificada ou desgastada.	Limpe ou substitua.
A mola do pistão (8) está desgastada.	Substitua.
A junta do pistão (6-2) está desgastada.	Substitua.

#### 7. PEÇAS SOBRESSALENTES



POS.	DESCRIÇÃO	
1	ESPALHADOR	
1R	ESPALHADOR (WIDER-1AR)	
1-1	PORCA DO ESPALHADOR	
1-2	JUNTA DO ESPALHADOR	
2-1	BICO DO PRODUTO	•
2-2	AGULHA	•
3	CORPO DA PISTOLA	
3-1	CONNECTOR DO AR	
4	AJUSTE DO LEQUE	
4R	TAMPA (WIDER-1AR)	
5	ASSENTO DA VÁLVULA DE AR	
5-1	O RING	•
6-1	PISTÃO	
6-2	JUNTA PISTÃO	•
7	MOLA DA AGULHA	
8	MOLA DA PISTÃO	
9	MOLA DO AJUSTE DO PRODUTO	
10	PARAFUSO DE FIXAÇÃO	
11	CARTUCHO JUNTAS DA AGULHA	•
12	PROTEÇÃO	
13	ESCOVA	
15	ACOPLAMENTO RÁPIDO Ø 6 (CYL)	
16	ACOPLAMENTO RÁPIDO Ø 8 (CAP)	

#### COMBINAÇÃO BICO DO PRODUTO E AGULHA

	BICO DO PRODUTO	AGULHA	
		Marca	Marca
WIDER1A	0.8 (0.031)	W1/08	12H WIDER1A
	1.0 (0.039)	W1/10	
	1.3 (0.051)	W1/13	15H WIDER1A
	1.5 (0.059)	W1/15	
	0.5 (0.020)	W1/05	05H WIDER1A
WA-200SP (WB)	0.8 (0.031)	W2-2/V8-08	
	1.0 (0.039)	W2-2/V8-10	12H WIDER1A
	1.2 (0.047)	W2-2/V8-12	
	1.4 (0.055)	W2-2/V8-14	15H WIDER1A
	1.6 (0.063)	W2-2/V8-16	
WA-200FT INTEGRA	0.6 (0.024)	W2/06	
	0.8 (0.031)	W2/08	12H WIDER1A
	1.0 (0.039)	W2/10	
	1.2 (0.047)	W2/12	
	1.5 (0.059)	W2/15	15H WIDER1A
ZP2-A	2.0 (0.079)	W2/20	20H WIDER2A
	2.5 (0.098)	W2/25	25H WIDER2A
	2.0 (0.079)	ZP2/20	---
	2.5 (0.098)	ZP2/25	

- As peças marcadas são sujeitas a desgaste.



**NUNCA REMOVER O CONNECTOR DO PRODUTO DO CORPO DA PISTOLA!** Quaisquer avarias resultantes da remoção destas peças não serão cobertos pela Garantia. Em caso de substituição, contacte o seu Serviço Técnico diretamente.



Ao ordenar pede-se sempre de especificar o modelo da pistola, o nome da peça sobressalente com o referimento numérico, a sigla do espalhador, do bico do produto e da agulha.

**WICHTIG:** Bevor Sie die Pistole einsetzen, einschalten, regulieren oder warten, lesen Sie diese Anleitung sorgfältig und halten Sie diese wenn notwendig bereit.

**EINHALTUNG DER VORSCHRIFTEN**

Die automatischen Lackierpistolen ANEST IWATA entsprechen der ATEX-Richtlinie 2014/34/EU betreffend Geräte und Schutzsysteme zur bestimmungsgemäßen Verwendung in explosionsgefährdeten Bereichen

**VOLLSTÄNDIGE KONFORMITÄTSKENNZEICHNUNG:** UK CE II 2 G Ex h IIB T6 Gb X +5°C ≤ Ta ≤ +40°C

**ABGEKÜRZTE KENNZEICHNUNG AUF DER PISTOLE:** UK CE II 2 G Ex h X

	<b>Beachten Sie IMMER die Sicherheitshinweise, die in dieser Betriebsanleitung enthalten sind.</b>		
SYMBOL	BEDEUTUNG	GEFAHRENNIVEAU	FOLGEN
	<b>WARNHINWEISE</b>	<b>POTENZIELL GEFÄHRLICHE SITUATION.</b>	Hohe Risiken für die Gesundheit und das Leben des Bedieners. Mäßige Risiken für Produkt und Bediener. Materielle Schäden.
	<b>VORSICHTIG WICHTIG</b>		

**1. TECHNISCHE SPEZIFIKATIONEN**

MODELLE	WA-200SP	WA-200FT	ZP2-A	WIDER1A	WIDER1A R
Max. Betriebsdruck:	7.0 bar (100 PSI)				
Geräuschpegel (LAeqT)*:	76.8 dB(A)	81.2 dB(A)	79.0 dB(A)	78.7 dB(A)	62.8 dB(A)
Luftanschluss:	G1/4"			Anschluss (CAP) ø 8 mm Anschluss (CPL) ø 6 mm	
Materialanschluss:	G3/8"			G1/4"	
Max. Temperatur:	Raum 5 ~ 40 °C - Luft/Flüssigkeit 5 ~ 43 °C				
* Messpunkt: 1 m hinter der Pistole, 1.6 m Höhe					

**1.1 TECHNISCHE DATEN**

Modelle	ø mm	Luftklappe	bar*	ml/min	NI/min	mm (in)	gewicht (g)				
<b>WA-200SP INTEGRA (Ausführung für Wasserlacke)</b>											
WA-200SP-08WB1P	0.8	WB1	1.6	200	340	360	420				
WA-200SP-10WB1P	1.0			250							
WA-200SP-12WB1P	1.2			300							
WA-200SP-14WB1P	1.4			340							
WA-200SP-16WB1P	1.6										
<b>WA-200FT INTEGRA</b>											
WA-200FT-06LV2	0.6	LV2	2.0	255	270	280	420				
WA-200FT-08LV2	0.8										
WA-200FT-10LV2	1.0										
WA-200FT-12LV2	1.2										
WA-200FT-15LV2	1.5										
WA-200FT-08G2P	0.8	G2P	3.0	500	530	400	420				
WA-200FT-10G2P	1.0										
WA-200FT-12G2P	1.2										
WA-200FT-15K2	1.5							K2	270	330	340
WA-200FT-20R2	2.0							R2	400	360	320
WA-200FT-25W1	2.5	W1	500	360	330						
<b>ZP2-A (Ausführung für Abrasive Lacke)</b>											
ZP2-A20	2.0	ZP2-R1Z	3.4	760	500	380	450				
ZP2-A25	2.5										
<b>WIDER1A</b>											
WIDER1A-08E2P	0.8	E2P	3.0	150	270	190	400				
WIDER1A-10E2P	1.0			200	270	220					
WIDER1A-10E1	1.0			E1	100	90		140			
WIDER1A-13H2	1.3			H2	250	260		230			
WIDER1A-05R	0.5			05R	3.0	20		40	35	400	

**2. SICHERHEITSHINWEISE**

**WARNHINWEISE:**

**EXPLOSIONS- UND FEUERGEFAHR**

Niemals **HALOGENKOHLENWASSERSTOFFLÖSUNGSMITTEL** verwenden, das durch chemische Reaktionen zur Auflösung des Pistolenkörpers aus Aluminium führen könnte. **UNGEEIGNETE LÖSUNGSMITTEL:** Methylchlorid, Dichlormethan, 1,2 Dichloroethan, Tetrachlorkohlenstoff, Trichloräthylen.

**Funken und offene Flammen sind strikt zu vermeiden.** Die verwendeten Produkte sind leicht entzündlich und können deshalb Brände auslösen. Niemals offenen Flammen, elektrischen Geräten, Zigaretten, u.ä. aussetzen.

**Lackierpistole sicher mittels Erdungskabel erden.** (<1MΩ) Stets sicherstellen, dass die Lackierpistole korrekt geerdet ist.

**GESUNDHEITSSCHUTZ**

**Der Arbeitsplatz muss über eine gute Ventilation verfügen; verwenden Sie die Pistole in einer Lackierkabine.** Bei unzureichender Ventilation kann es zu einer Vergiftung mit organischen Lösungsmitteln oder Feuer kommen.

**Tragen Sie immer Schutzausrüstung (Schutzbrille, Schutzmaske und Handschuhe),** um Augen- und Hautentzündungen zu vermeiden. Falls Beschwerden auftreten, suchen Sie sofort einen Arzt auf.

**Falls nötig, sollten Sie Gehörschutz anwenden.** Der Der Geräuschpegel kann je nach Arbeitsbedingungen und Standort 80 dB(A) übersteigen.

**UNSACHGEMÄSSE ANWENDUNG**

**Zielen Sie niemals die Pistole auf Menschen oder Tiere.**

**Überschreiten Sie nie den maximalen Arbeitsdruck oder die maximale Arbeitstemperatur.**

**Vor Reinigung, Auseinandernehmen und Wartung lassen Sie immer den Luft- und Flüssigkeitsdruck ab.** Andernfalls kann der verbleibende Druck Verletzungen wegen der unsachgemäßen Anwendung und des Ausstoßens der Reinigungsflüssigkeit verursachen.

Um den Druck auszublasen, die Druckluftversorgung und den Lackzufuhr trennen. Danach nur den Kolben mit Luft zuführen und das Material mittels der Nadel auslassen. Dieser Verfahren verursacht das automatische Anhalten der Druckluft.

**Die Nadel ist oben spitz.** Um Zwischenfälle zu vermeiden, berühren Sie die Spitze niemals während Wartungsarbeiten.

**Verwenden Sie niemals die Pistole zum Spritzen von Lebensmitteln oder Chemikalien.** Andernfalls könnten ungeeignete Substanzen zu Korrosion der Flüssigkeitsleitungen und damit zu Gesundheitsschäden führen.

**Verändern Sie nie die Lackierpistole,** um Beschädigungen zu vermeiden, welche die Qualität des Ergebnisses beeinträchtigen könnten.

**Bei Funktionsstörungen unterbrechen Sie die Lackiervorgänge sofort, um den Defekt festzustellen.** Das Produkt nicht erneut verwenden, solange das Problem nicht gelöst ist.

**Betreten Sie nie die Arbeitsbereiche der Maschinen (wie Roboter, Bewegungsautomaten, usw.), solange diese nicht ausgeschaltet sind.** Bei Zuwiderrhandlung könnte der Kontakt mit den laufenden Maschinen zu Unfällen und Verletzungen führen.

**3. VERBINDUNG**

**VORSICHTIG:**  
 Um die Pistole zu versorgen, verwenden Sie gefilterte und trockene Luft. Es wird der Einsatz eines Filters mit automatischem Kondenswasserablass und Trockner empfohlen.

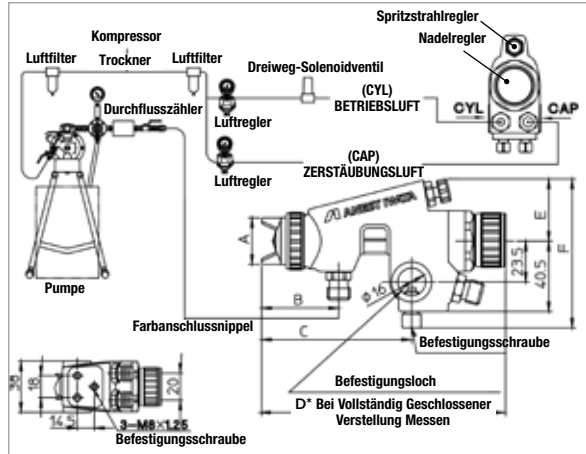
**WIRD DIE PISTOLE DAS ERSTE MAL VERWENDET, REINIGEN SIE DIE MATERIALDURCHFLUSSVORRICHTUNG UND ENTFERNEN SIE DAS ROSTSCHUTZÖL.**

Ein Dreiweg- Solenoidventil mit Innendurchmesser größer als ø 4 mm und einen Luftschlauch mit Innendurchmesser größer als ø 6 mm und Länge nicht höher als 10m verwenden. Kleinere Innendurchmesser des Solenoidventils und längeren Luftschlauch zwischen Ventil und Spritzpistole könnten Verspätungen der Vorgänge verursachen.

**Den Schlauch fest an die Pistole anschließen, um zu verhindern, dass das Ablösen desselben oder die Verluste während der Spritzvorgänge schwere Körperverletzungen verursachen.**

1. Montieren Sie die Spritzpistole auf die Halterung den Spritzstrahl ausrichten und die Spritzpistole in der richtigen Position mittels des Verankerungsbolzens blockieren.
2. Den Luftschlauch an die Zerstäuberluftseite (mit dem Kennzeichen CAP), und den Betriebsluftschlauch an die Betriebsluftseite (mit dem Kennzeichen CYL) fest anschließen.
3. Befestigen Sie das Farbversorgungsrohr dem Materialanschluss verbinden.
4. Säubern Sie die Materialdurchflussvorrichtungen der Pistole mit kompatiblen Reinigungsmittel.
5. Die automatische Spritzpistole mit Lack zuführen, den Spritzer prüfen und die Luftmenge, die Materialfördermenge und die Spritzstrahl nach Ihren Anforderungen regulieren.

**3.1 VERBINDUNG DER LUFT UND DER FARBLINIE**



Größe						
MODELLE	A	B	C	D*	E	F
WA-200SP INTEGRA						
WA-200FT INTEGRA	30.5	46.5	89	160	36	77.5
ZP2-A						
WIDER1A	27	43.5	85.5	158	36	76.5
WIDER1A R	27	36.5	79	151.5	35	75.5

**3.2 AUSTAUSCH VON OPTIONALEN GEWINDEANSCHLÜSSE IN TEM WIDER1A**

Entfernen Sie vom Pistolenkörper die Zerstäuberhalbverbindung (markiert mit CAP) für ø 8 mm Schlauch (Außen-Ø) und der Betriebsluftverbindung (markiert mit CYL) für ø 6 mm Schlauch (Außen-Ø) und ersetzen Sie sie jeweils durch die optionalen Gewindeanschlüsse, die in der Verpackung enthalten sind.

**ACHTEN SIE DARAUF, DIE OPTIONALEN GEWINDEANSCHLÜSSE FEST MIT DEM PISTOLENKÖRPER ZU VERBINDEN.**

**4. BEDIENUNG**

1. Stellen Sie den Betriebsluftdruck (CYL) auf 3 bis 4 bar (43 bis 57 PSI) ein.  
**HINWEIS:** Die Ventilöffnung im Dreibege-Magnetventil sollte mindestens ø 4 mm (0,157 in) betragen. Außerdem sollte die Länge des Betriebsluftschlauches maximal 10 Meter mit einem Innendurchmesser von mehr als ø 6 mm (0,236 in) betragen, um einen verzögerten Betrieb sowie jede Art von Ausfall zu vermeiden.
2. Obwohl der Zerstäubungsluftdruck je nach den Sprühbedingungen variiert, betätigen Sie den Kolben der Pistole mit dem vollständig geöffneten Flachstrahlregler und justieren Sie nach den Angaben in der obigen Tabelle.
3. Die empfohlene Materialviskosität unterscheidet sich je nach Materialeigenschaft und -bedingungen. 15 bis 23 Sekunden / Ford Cup#4. ist empfehlenswert.
4. Stellen Sie den Spritzabstand von Automatik Lackierpistole zum Werkstück so: **WIDER1A** und **WIDER1A R:** 150 ~ 200 mm (5,9 ~ 7,9 Zoll); **WA-200SP / WA-200FT INTEGRA** und **ZP2-A:** 200 ~ 250 mm (7,9 ~ 9,8 Zoll).

**5. WARTUNG & INSPEKTION**



**WARNHINWEISE:**

Vor jeglichen Inspektions- und Wartungsvorgängen stets alle Angaben hinsichtlich **SICHERHEITSHINWEISEN** aufmerksam lesen und beachten.

Nie andere Bauteile oder Ersatzteile verwenden, die nicht Originalteile von ANEST IWATA sind.

Nie die Öffnungen der Luftdüse, der Flüssigkeitsdüse und des Flüssigkeitsnadelendes beschädigen.

Die Pistole nie vollkommen in Flüssigkeiten wie Lösungsmittel eintauchen.

Die Luftdüse nie in die Reinigungsflüssigkeit für einen langen Zeitraum auch während der Reinigung eingetaucht lassen.

**5.1 VORGANG**



Die Materialdurchgänge müssen nach jeder Verwendung der Pistole und besonders nach der Verwendung von Zwei-komponentenlacken sorgfältig gereinigt werden. Eine unvollständige Reinigung könnte zu einem fehlerhaften Spritzstrahl führen.

Alle Material- und Luftkappedurchgänge reinigen. Eine Kleinmenge von Waschmittel verwenden, um die Lackdurchgänge zu reinigen. Eine unvollständige Reinigung könnte zu einem fehlerhaften Spritzstrahl führen.

Alle Bereiche mit der im Lieferung enthaltenen in Waschmittel getränkten Bürste reinigen und mit einem saugfähigen Lappen trocknen. Die Pistole nie vollkommen in das Waschmittel eintauchen, da sie beschädigt werden könnte. Während der Reinigung achten Sie darauf, dass die Öffnungen des Luftdüsensets, des Flüssigkeitsdüsensets oder die Nadel nicht verkratzt werden.

**5.2 DEMONTAGE SÄUBERN UND MONTAGE**

**VOR DER DEMONTAGE SÄUBERN SIE ALLE MATERIALFÜHRENDE TEILE**

1. Entfernen Sie die Luftkappe bei vollständig geöffneter Materialeinstellung, schrauben Sie die Sechskantmutter des Reglers ab, entfernen Sie die Materialeinstellung (9), die Feder Kolben (8) und die Feder Farbnadel (7), entfernen Sie dann die Nadel (2-2) in einer geraden Linie aus dem Pistolenkörper, um die Nadeldichtungspatrone (11) zu schützen. Achten Sie bei diesem Vorgang darauf, dass die Materialeinstellung (9) nicht plötzlich herausspringt, da diese stark von der Feder Farbnadel (7) und der Feder Kolben (8) gedrückt wird.
2. Nach dem Entfernen der Nadel (2-2), schrauben Sie die Düse (2-1) ab und nehmen diese aus ihrem Sitz, entfernen Sie dann die Abdeckung (12) der Nadeldichtungspatrone, schrauben Sie die Sechskantmutter der Nadeldichtungspatrone (11) ab und nehmen Sie sie aus dem Pistolenkörper.
3. Zum Entfernen des Kolbens (6-1) schrauben Sie den hinteren Teil der Düse (2-2) in den Kolben ziehen ihn dann aus dem Pistolenkörper heraus. Nur im Falle von WA-200 ZP den Extraktionsbolzen (17) verwenden, um den Kolben aus dem Pistolenkörper herauszuziehen. Achten Sie während dieses Vorgangs darauf, die Kolbendichtung (6-2) und den O Ring (5-1) nicht zu beschädigen. **WICHTIG:** Während des Wiederzusammenbaus des Kolbens (6-1) tragen Sie Pistolenfett auf die Kolbendichtung (6-2) und den O-Ring (5-1), um jegliche Behinderung in der Bewegung des Kolbens zu vermeiden.
4. Der Luftventilsitz (5) kann mit einem handelsüblichen Steckschlüssel (14mm) demontiert werden. **Achten Sie bei diesem Vorgang darauf, den O-Ring und das Sitzteil nicht zu beschädigen.**
5. Um das Fluid-Einstellset (9) von der Version **WIDER1A** zu demontieren, schrauben Sie den gerändelten Teil des Rings manuell ab und bei der Version **WA-200SP & WA-200FT INTEGRA** schrauben Sie den exagonalen Teil des Rings mit Hilfe eines geeigneten Schraubenschlüssels ab.  
**WICHTIG:**  
- **DEMONTIEREN SIE NIEMALS DEN EINSTELLKNOPF AUS DEM KOMPLETTEN SATZ.**  
- **DEMONTAGE UND MONTAGE DES FLÜSSIGKEITSEINSTELLS MÜSSEN IMMER BEI VOLLSTÄNDIG GEÖFFNETEM FLÜSSIGKEITSEINSTELLKNOPF DURCHFÜHRT WERDEN.**  
Beim Zusammenbau des Fluid-Einstellsets (9) silikonfreies Fett oder Öl auf das Gewinde der Ringmutter bei voll geöffneter Nachstellung auftragen.

**WICHTIG:** Den Zusammenbau in umgekehrter Reihenfolge wie die vorher beschriebene Demontage vornehmen.

**5.3 WICHTIGE EMPFEHLUNGEN**



Die Regulierung der Nadeldichtung (11) muss immer mit dem eingebauten Nadelset ausgeführt werden. Die Nadeldichtung mit der Hand schließen und danach sie mittels des geeigneten Schlüssels um ungefähr 1/6 Drehung (60 Grade) anziehen. Wenn Sie die Nadeldichtung (11) entfernen, lassen Sie kein Plastikstück der Nadeldichtung innerhalb des Pistolenkörpers.

**WICHTIG:** Ein übermäßiges Anschrauben der Nadeldichtung (11) kann die normale Bewegung des Nadelsets (2-2) verhindern. Das könnte einen Lackaustritt aus der Ende der Farbdüse (2-1) verursachen. Beim Prüfen der Bewegung des Nadelsets (2-2) sorgfältig regulieren. Wenn die Nadeldichtung zu viel angeschraubt ist, sie völlig aufschrauben und nochmals sorgfältig anschrauben.

Wenn Sie die Düse (2-1) und die Nadel (2-2) austauschen, überprüfen Sie die korrekte Verbindung beider, um während des Betriebs der Lackierpistole ein Auslaufen von Material aus der Düse zu vermeiden.



Zum Einstellen der Materialeinstellung (9) drehen Sie den adj. Knopf des Flüssigkeitseinstellsets. Der Standard für das vollständige Schließen der Farbregulierung erfordert, dass der Abstand zwischen der Führung und dem Knopf beträgt: **2 mm für den WIDER1A und 1 mm für den WA-200SP / WA-200FT INTEGRA und ZP2-A.**

Während der Einstellung wird empfohlen, die Einstellung nicht zu fest anzuziehen, da ein übermäßiges Anziehen zu einer Verformung der Flüssigkeitsdüse führen könnte.

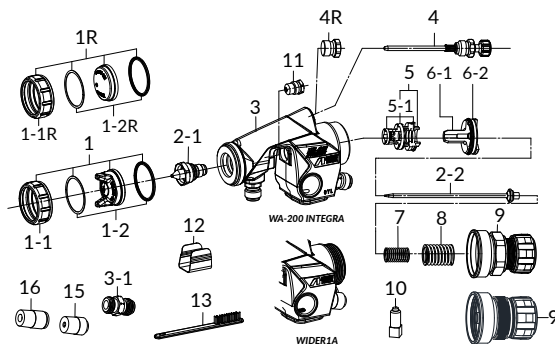
### 5.4 STANDARDINSPEKTIONEN & ERSETZUNGEN

ZU KONTROLLIERENDE TEILE	ZU ERSETZENDE TEILE
Alle Durchgangsöffnungen der Luftkappe (1) und der Farbdüse (2-1).	Bei Quetschungen oder Verformungen ersetzen.
Dichtung und O-Ring.	Bei Verformungen oder Verschleiß ersetzen.
Verluste aus der Bereiche der Sitze zwischen der Farbdüse (2-1) und der Farbnadel (2-2).	Ersetzen, wenn die Verluste auch nachdem das Farbdüse (2-1) und das Farbnadel (2-2) vollkommen gereinigt wurden, weiter anhalten. Werden nur die Farbdüse (2-1) und die Farbnadel (2-2) ersetzt, die korrekte Paarung beider überprüfen und sich vergewissern, dass keine eventuellen Verluste vorliegen.

### 6. FEHLERBEHEBUNG

PROBLEME	LÖSUNGEN
<b>SPRITZPISTOLE SPRÜHT NICHT</b>	
Materialeinstellung (9) geschlossen.	Überprüfen und einstellen.
Öffnung der Farbdüse (2-1) verstopft.	Überprüfen und reinigen.
Lackanhäufung zwischen Nadelset (2-2) und Nadeldichtung (11)	Überprüfen und reinigen.
<b>STOSSWEISER SPRÜHSTRAHL</b>	
Falschlucht aus der Farbdüse (2-1) und aus den Kegelsitzen des Pistolenkörpers.	Überprüfen, reinigen und wenn erforderlich ersetzen.
Falschlucht aus dem Nadeldichtung (11).	Festziehen.
Falschlucht aus dem Anschluss des Materialschlauchs.	Festziehen.
Materialreste in der Luftkappe (1).	Reinigen.
<b>FEHLERHAFTER SPRÜHSTRAHL</b>	
Farbdüse (2-1) oder Luftkappe (1) verkrüftet.	Sorgfältig reinigen.
Farbdüse (2-1) oder Luftkappe (1) beschädigt.	Wenn erforderlich ersetzen.
Farbdüse (2-1) gelöst.	Anziehen.
Viskosität der Flüssigkeit zu hoch oder zu niedrig.	Den Lack verdünnen oder die Viskosität erhöhen.
Die Lackdurchsatz ist zu hoch oder zu niedrig.	Den Materialeinstellung (9) einstellen, um den Durchsatz zu verringern oder zu erhöhen.
<b>UNDICHT</b>	
Farbdüse (2-1), Nadelset (2-2) im Sitz verkrüftet, beschädigt oder abgenutzt.	Reinigen oder wenn erforderlich ersetzen.
Materialeinstellung (9) gelöst.	Einstellen.
Feder Farbnadel (7) abgenutzt.	Ersetzen.
Farbdüse (2-1) gelöst.	Anziehen.
Materialablagerung zwischen der Nadel (2-2) und der Nadeldichtungspatrone (11).	Überprüfen und reinigen Sie es.
Kolben (6-1) verschmutzt, beschädigt, am Sitz verschlissen.	Reinigen oder ersetzen.
Feder Kolben (8) ist verschlissen.	Ersetzen.
Kolbendichtung (6-2) ist verschlissen.	Ersetzen.

### 7. ERSATZTEILLISTE



POS.	BESCHREIBUNG
1	LUFTKAPPE
1R	LUFTKAPPE (WIDER-1AR)
1-1	RINGMUTTER DER LUFTKAPPE
1-2	LUFTDÜSENDICHTUNG
2-1	DÜSE
2-2	NADEL
3	PISTOLENKÖRPER
3-1	LUFTANSCHLUSSNIPEL
4	FLACHSTRAHLREGLER
4R	SCHRAUBE (WIDER-1AR)
5	LUFTVENTILSITZ
5-1	O RING
6-1	KOLBEN
6-2	KOLBENDICHTUNG
7	FEDER FARBNADEL
8	KOLBENFEDER
9	MATERIALEINSTELLUNG
10	BOLZEN
11	NADELICHTUNGSPATRONE
12	ABDECKUNG
13	FLACHBÜRSTE
15	HALBANSCHLUSS Ø 6 (CYL)
16	HALBANSCHLUSS Ø 8 (CAP)

### KOMBINATIONEN FARBDÜSE- UND FARBNADEL

	Farbdüse		Farbnadel
	Ø mm (in)	Marke	
WIDER1A	0.8 (0.031)	W1/08	12H WIDER1A
	1.0 (0.039)	W1/10	
	1.3 (0.051)	W1/13	
	1.5 (0.059)	W1/15	
	0.5 (0.020)	W1/05	
WA-200SP (WB)	0.8 (0.031)	W2-2/V8-08	12H WIDER1A
	1.0 (0.039)	W2-2/V8-10	
	1.2 (0.047)	W2-2/V8-12	
	1.4 (0.055)	W2-2/V8-14	
WA-200FT INTEGRA	1.6 (0.063)	W2-2/V8-16	15H WIDER1A
	0.6 (0.024)	W2/06	
	0.8 (0.031)	W2/08	
ZP2-A	1.0 (0.039)	W2/10	12H WIDER1A
	1.2 (0.047)	W2/12	
	1.5 (0.059)	W2/15	
	2.0 (0.079)	W2/20	
	2.5 (0.098)	W2/25	
ZP2-A	2.0 (0.079)	ZP2/20	---
	2.5 (0.098)	ZP2/25	



Die gekennzeichneten Teile sind Verschleiß unterworfen. ENTFERNEN SIE NIE-MALS DEN MATERIAL-ANSCHLUSSNIPEL VOM PISTOLENKÖRPER. Sämtliche Störungen, die durch das Entfernen der vorgenannte Teil entstehen, werden nicht durch die Garantie abgedeckt. Sofern ein Austausch erfolgen muss, kontaktieren Sie bitte direkt unseren Technischen Service.



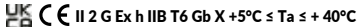
Es wird gebeten, bei der Bestellung stets das Pistolenmodell, den Namen des Ersatzteils mit dem numerischen Bezug, das Kennzeichen der Luftdüse, der Farbdüse und der Farbnadel anzugeben.

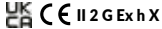



**VIKTIGT:** Denna manual är en del av sprutpistolens och måste läsas noggrant innan användning, justering eller underhåll av utrustningen påbörjas. Manualen bör bevaras för framtida bruk.


#### KONFORMITET MED ATEX-DIREKTIVET

De automatiska färgpistolerna ANEST IWATA uppfyller alla krav i som ställs i ATEX-direktiv 2014/34/EU och gäller apparater som är avsedda att brukas i potentiellt explosiva lokaler.

ÖVERSTÄMMESEMÄRKNING AV TOTALKONFORMITET: 

FÖRKORTAT ÖVERSTÄMMESE-  
MÄRKNING PÅ SPRUTPISTOLEN: 

 Respektera **ALLTID** alla varningar vad gäller säkerhetsföreskrifterna i denna bruksanvisning.

Symbol	BETYDELSE	RISKNIVÅ	KONSEKVENS
	<b>VARNING</b> <b>OBSERVERA</b> <b>VIKTIGT</b>	POTENTIellt FARLIG SITUATION	Allvarliga risker för operatörens hälsa och liv. Måttliga risker för produkten och operatören. Materialsador.

## 1. TEKNISKA SPECIFIKATIONER

MODELLER	WA-200SP	WA-200FT	ZP2-A	WIDER1A	WIDER1A R
Max. arbetstryck:	7.0 bar (100 PSI)				
Ljudnivå (LAeqT)*:	76.8 dB(A)	81.2 dB(A)	79.0 dB(A)	78.7 dB(A)	62.8 dB(A)
Anslutning tryckluft:	G1/4"			Anslutning (CAP) ø 8 mm Anslutning (CYL) ø 6 mm	
Anslutning färg:	G3/8"			G1/4"	
Temperaturområde:	Mjö 5 ~ 40 °C - Luft/Färg 5 ~ 43 °C				
*Mät punkt: 1 meter bakom sprutpistolens, vid 1,6 meters höjd.					

### 1.1 TEKNISKA DATA

Modeller	ø mm	luftmånstykke	bar*	ml/min	NI/min	mm (in)	vikt (g)				
<b>WA-200SP INTEGRA (Version för vattenbaserade färger)</b>											
WA-200SP-08WB1P	0.8	WB1	1.6	200	340	360	420				
WA-200SP-10WB1P	1.0			250							
WA-200SP-12WB1P	1.2			300							
WA-200SP-14WB1P	1.4			340							
WA-200SP-16WB1P	1.6										
<b>WA-200FT INTEGRA</b>											
WA-200FT-06LV2	0.6	LV2	2.0	255	270	280	420				
WA-200FT-08LV2	0.8										
WA-200FT-10LV2	1.0										
WA-200FT-12LV2	1.2										
WA-200FT-15LV2	1.5										
WA-200FT-08G2P	0.8	G2P	3.0	500	530	400	420				
WA-200FT-10G2P	1.0										
WA-200FT-12G2P	1.2										
WA-200FT-15K2	1.5							K2	270	330	340
WA-200FT-20R2	2.0							R2	400	360	320
WA-200FT-25W1	2.5	W1	500	360	330						
<b>ZP2-A (Version för Slipande Färger)</b>											
ZP2-A20	2.0	ZP2-R1Z	3.4	760	500	380	450				
ZP2-A25	2.5										
<b>WIDER1A</b>											
WIDER1A-08E2P	0.8	E2P	3.0	150	270	190	400				
WIDER1A-10E2P	1.0										
WIDER1A-10E1	1.0							E1	100	90	140
WIDER1A-13H2	1.3							H2	250	260	230
WIDER1A R (Rund Sprutbredd)											
WIDER1A-05R	0.5	05R	3.0	20	40	35	400				

## 2. SÄKERHETSFÖRESKRIFTER




**VARNING:**   
**BRAND OCH EXPLOSION** 

Använd aldrig LÖSNINGSMEDEL MED HALOGENKOLVÄTEN, som kan orsaka skador och upplösning av delarna i aluminium hos själva pistolkropperna beroende på kemiska reaktioner. ICKE KOMPATIBLA LÖSNINGSMEDEL: metylenklorid, diklormetan, 1,2 diklormetan, kolteetraklorid, trikloretylen, 1,1,1-triklorethan.

Närvaron av öppna lågor och gnistframkallning är strängt förbjudna. De brukade produkterna kan vara mycket lättantändliga och kan medföra allvarliga brandrisker. Undvik alla aktiviteter som kan medföra risk för brand såsom rökning, gnistframkallning samt aktiviteter som kan leda till elektriska risker.

Koppla sprutpistolens ordentligt till en jordad ledning via en ledad luftslang. (< 1MΩ). Kontrollera stabiliteten hos den jordade ledningen med jämna mellanrum.

#### HÄLSORISKER

Använd sprutpistolens i lokaler med god ventilation, t.ex. i en sprutbox. En felaktig eller otillräcklig ventilation kan orsaka förgiftning från organiska tvättmedel och kan vara orsak till brand.   

Bär alltid skyddskläder (skyddsglasögon, ansiktsmask, skyddshandskar). Undvik kontakt med frätande medel som kan orsaka inflammation hos ögon och hud. Om det skulle inträffa en olycks händelse, även av liten entitet, bör man omgående kontakta en läkare.

Vid behov, utnyttja hörselskydd för akustisk isolering. Beroende på bruksvillkor samt själva arbetslokaler utformning kan bullemnivån överstiga 80 dB(A).

#### RISKER VID FELAKTIGT BRUKANDE

Rikta ALDRIG pistolen mot en person eller ett djur. 

Överskrid ALDRIG det maximala körtrycket eller lokalens maxtemperatur.

Stäng av och töm ledningarna på kvarliggande lufttryck samt material innan man påbörjar rengöringsingrepp, nedmontering eller underhåll. Kvarliggande tryck kan medföra risk för kroppsskador som orsakas av felaktiga ingrepp eller utsläpp av de vätskor som brukats för rengöringen. För att tömma kvarliggande tryck, stäng av frammatningen av tryckluften samt materialet. Mata därefter pistolen med luft och töm den på det kvarliggande materialet via sprutnålen. Detta ingrepp kommer att leda till en omedelbar avstängning av den komprimerade luften.

**Spetsen på sprutnålen är mycket vass.** För att undvika skador, rör inte vid spetsen vid underhålls ingreppet.


Spruta aldrig födoämnen eller kemikalier med sprutpistolens. Blandningen med främmande substanser kan medföra frätningsskador i ledningarna, med följande skador på själva pistolen samt hälsorisker.

Modifiera aldrig sprutpistolens, för att undvika skador hos denna som kan ifrågasätta kvaliteten hos resultatet.

I händelse av felfunktion ska sprutarbetet omedelbart avbrytas och felsökning skall utföras. Använd inte produkten tills dess felet har åtgärdats.

Gå aldrig in i utrustningens arbetsområde (såsom robotar, reciprokeratorer osv.), förrän dessa har avaktiverats. I annat fall kan kontakten med maskiner i rörelse leda till olycksfall och skador.

## 3. UPPKOPPLING

 **OBSERVERA:**  
För att mata sprutpistolens, använd torr filtrerad luft.

När man använder pistolen för första gången efter inköpet, rengör först materialpassagera genom att spruta ett kompatibelt tvättmedel för att ta bort rostskyddsoljan.

Använd en elektromagnetisk ventil med tre gånger, vars interna diameter måste överstiga ø 4 mm, samt en luftslang med en intern diameter som överstiger ø 6 mm och som inte får vara längre än 10m.

En elektromagnetisk ventil med en för liten diameter och en luftslang som överstiger 10 meter i avståndet mellan ventilen och pistolen kan orsaka förseningar i utförandet.

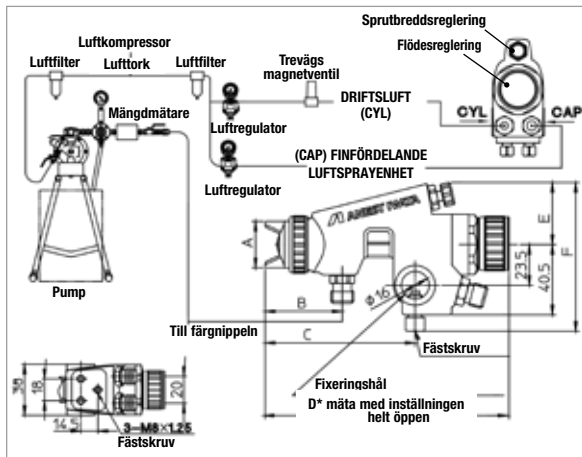
Fäst slangen ordentligt till pistolen för att undvika att den lossnar eller läcker under brukandet och därmed kan leda till allvarliga kroppsskador.

- Fäst pistolen på fäste, ställ in sprutrikningen och blockera pistolen i den korrekta positionen med hjälp av fästbultar.
- Koppla noggrant luftslangen till sidan för luftinsläpp på den finfördelade enheten (betecknad CAP) och luftslangen till driftsluften på sidan till driften (betecknad CYL).
- Koppla noggrant materialslangens till färgnippeln.



- Mata den automatiska sprutpistolen med rengöringsvätska och spruta för att rengöra materialgångarna.
- Mata därefter den automatiska sprutpistolen med material, kontrollera sprutflödet och reglera luftkvaniteten, kvantiteten frammatat material samt sprutbredden i enlighet med personliga behov.

### 3.1 ANSLUTNING AV LUFT- OCH FÄRGLINJEN



#### DIMENSIONER

MODELLER	A	B	C	D*	E	F
WA-200SP INTEGRA	30.5	46.5	89	160	36	77.5
WA-200FT INTEGRA						
ZP2-A						
WIDER1A	27	43.5	85.5	158	36	76.5
WIDER1A R	27	36.5	79	151.5	35	75.5

### 3.2 BYTE AV VALFRI NIPPLAR I WIDER1A

Ta bort finfördelningshalvsanslutning (märkt CAP) för  $\varnothing$  8 mm slang (extern dia.) och manöverhalvsanslutning (märkt CYL) för  $\varnothing$  6 mm slang (extern dia.) från WIDER1A pistolkroppen och byt ut dem respektive med de valfria gängade beslagen som ingår i förpackning.

**SÄKERSTÄLL ATT KOPPLINGARNA ÄR ORDENTLIGT ANSLUTNA TILL PISTOLKROPPEN.**

### 4. TILLVÄGAGÅNGSSÄTT

- Justera manöverlufttrycket från 3 till 4 bar (43 till 57 PSI).

**NOTERA:** Ventilöppningen inuti trevägs magnetventilen ska ha en diameter på minst 4 mm (0,157 in). Dessutom ska luftslangens längd vara max 10 m (32,8 ft) med en inre diameter på mer än 6 mm (0,236 in) för att undvika försenad drift och annan form av misslyckande.

- Eftersom atomiserande lufttryck varierar beroende på sprayförhållanden, skruva på ratten för att justera kolven på pistolen med sprutbreddsventilen helt öppet och justera enligt vad som anges i ovanstående specifikationstabell.
- Rekommenderad viskositet för färgen varierar beroende på färgens egenskaper samt gällande lackeringsförhållande. En viskositet på mellan 15 och 25 sek/Fordkopp nr 4 rekommenderas.
- Fastställ lämpligt lackeringsavstånd mellan pistol och arbetsstycke, det rekommenderade avståndet är: **WIDER1A** och **WIDER1A R:** 150–200 mm (5.9–7.9 in); **WA-200SP/ WA-200FT INTEGRA** och **ZP2-A:** 200–250 mm (7.9–9.8 in).

### 5. UNDERHÅLL OCH INSPEKTION



#### VARNING:

Innan man utför underhållsgrepp eller inspektioner bör man alltid först läsa igenom och noggrant följa alla anvisningar som ges i Säkerhetsföreskrifterna.

Använd aldrig komponenter eller reservdelar som inte är original från ANEST IWATA. Skada aldrig hålen på luftmunstycket, materialmunstycket eller sprutnålens topp.

Doppa aldrig ned pistolen helt och hållet i vätskor av typen lösningsmedel.

Blötlägg aldrig luftmunstycket i rengöringsvätskor under längre intervall, ej heller under själva rengöringen.

### 5.1 RENGÖRINGSPROCEDURE



Materialgångarna måste noggrant rengöras efter varje användningstillfälle och speciellt efter sprutbeten med bikomponentslack. En otillräcklig rengöring kan leda till fel i sprutbredden.

Rengör alla materialpassager och luftmunstycket (1). Spruta en liten kvantitet tvättmedel för att rengöra flödesgångarna. En otillräcklig rengöring kan medföra fel i sprutbredden.

Rengör varje sektion med en liten borste doppad i tvättmedeloch torka av med en absorberande trasa. Doppa aldrig hela pistolen i tvättmedel eftersom detta kan leda till skador på produkten. Under rengöringsoperationerna, undvik att skrapa ytorna runt hålen till luftmunstycket, materialmunstycket samt sprutnålen.

### 5.2 NED- SAMT ÅTERMONTERING

#### INNAN NEDMONTERING, RENGÖR VÄTSKEPASSAGEN.

Ta bort luftmunstycket (1) med inställningen för vätskejustering helt öppen. Skruva loss sexkantsmuttern från justeringen och ta bort vätskejusteringssetet (9), kolvjädern (8) och färgnålsjädern (7), ta sedan ut nålsetet (2-2) i en rak linje från pistolen för att skydda färgnålspackningssetet (11). Under hanteringen – kontrollera att färgnålsstyrningssetet (9) inte plötsligt flyger iväg då trycket är hårt från färgnålsjädern (7) och kolvjädern (8).

2. Efter att nålsetet (2-2) tagits bort, skruva loss färgmunstycket (2-1) och ta bort det från dess säte. Ta bort skyddshöljet (12) på nålpackningen, skruva loss sexkantsmuttern från nålpackningen (11) och ta bort det från pistolkroppen.

3. För att avlägsna kolvupsättningen (6-1), skruva in den bakre delen av färgnålssetet (2-2) i kolven och dra ut den från pistolen. Var försiktig så att du inte skadar kolvpackningen (6-2) och O-ringen vid hanteringen.

**VIKTIGT:** Under återmonteringen av kolven (6-1), applicera fett på kolvpackningen (6-2) och O-ringen (5-1) för att undvika hinder för kolvens rörelse.

4. Luftventilsätet (5) kan demonteras med en hylsnyckel (14 mm) som finns i handeln. **Var försiktig så att O-ringen och sitsdelen inte skadas under denna operation.**

För att demontera färgnålsjustering (9) i WIDER1A-versionen, skruva manuellt den räfflade delen av justeringshjulet, medan i fallet med WA-200SP & WA-200FT INTEGRA-versionen skruvar du den sexkantiga delen av hjulet med en lämplig nyckel.

**VIKTIGT:**  
5. **PASSA ALDRIG DEMONTERING AV VREDET FRÅN DEN KOMPLETTA JUSTERINGSSETTET DEMONTERING OCH ÅTERMONTERING AV JUSTERINGSSÄTTET MÅSTE ALLTID UTFÖRAS MED JUSTERINGSVREDET HELT ÖPPEN.**

När du monterar färgnålsstyrningssetet (9), applicera silikonfett eller olja på kedjedrevets gängor med reglering helt öppen.

**VIKTIGT:** FÖR ÅTERMONTERING, GENOMFÖR PROCEDUREN I OMVÄND ORDNING.

### 5.3 VIKTIGA REKOMMENDATIONER



Regleringen av sprutnålspackningen (11) måste alltid utföras med sprutnålen (2-2) monterad och på följande sätt: stäng av för hand och skruva därefter åt med den bifogade ställskruvsnyckeln cirka 1/6 varv (60 grader). När man lossar på sprutnålspackningen (11), se till att den lilla plastdelen hos sprutnålspackningen (11) inte blir kvar inuti sätet.

**VIKTIGT:** En för hård åtdragning av sprutnålspackningen (11) kan medföra förhindring av sprutnålens rörelse (2-2), med ett materialläckage som följd från materialmunstyckets ände (2-1). Reglera långsamt och kontrollera samtidigt sprutnålens (2-2) rörelse. Om den skulle visa sig för hårt åtdragen, skruva loss den helt och hållet och skruva sedan noggrant fast den igen.

Vid byte av färgmunstycket (2-1) och färgnålset (2-2), kontrollera att kopplingarna sitter rätt på båda, för att undvika färgläckage från färgmunstycket vid användande av sprutpistolen.



För att justera färgnålsstyrningssetet (9), ställ in den genom att vrida på inställningsratten. Standarden för fullständig stängning av justeraren kräver att avståndet mellan styrningen och vredet är: 2 mm för WIDER1A och 1 mm för WA-200SP / WA-200FT INTEGRA och ZP2-A.

Under justeringen rekommenderas det att inte dra åt justeringen för hårt, eftersom dess överdrivna åtdragning kan orsaka deformation av materialmunstycket.

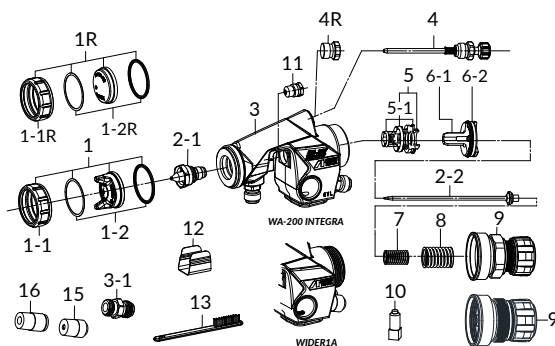
### 5.4 STANDARDINSPEKTIONER OCH -BYTEN

DELAR SOM SKA KONTROLLERAS	DELAR SOM SKA BYTAS UT
Alla passager till luftmunstycke (1) och materialmunstycke (2-1).	Byt ut om klämda eller deformerade.
Packningar och O-ringar	Byt ut om de är deformerade eller utslitna.
Läckage från sätena mellan materialmunstycke (2-1) och sprutnålen (2-2).	Byt ut delarna om läckaget inte ens upphör efter att färgmunstycket (2-1) och färgnålen (2-2) har rengjorts fullständigt. Om du endast byter ut färgmunstycket (2-1) och färgnålen (2-2), kontrollera sammankopplingen av båda och försäkra dig om att inga eventuella läckage förekommer.

### 6. PROBLEM, ORSAKER OCH ÅTGÄRDER

PROBLEM	ÅTGÄRDER
<b>FÄRGEN SPRUTAR INTE UT</b>	
 Nålens ställskruv (9) är åtdragen. Materialmunstyckets (2-1) håll är tilltäppt. Samling av lack mellan nålen (2-2) och nålpackningen (11).	Kontrollera och reglera. Kontrollera och rengör. Kontrollera och rengör.
<b>OJÄMN FINFÖRDELNING</b>	
 Luft läcker ut från materialmunstycket (2-1) och de koniska sektionerna på pistolkroppen. Luft läcker från sprutnålspackningen (11). Luft läcker ut från kopplingen med materialnippeln. Färgrester i luftmunstycket (1).	Kontrollera, rengör och byt ut om nödvändigt. Drag åt. Drag åt. Rengör.
<b>SPRUTBILDSFEKTER</b>	
 Materialmunstycket (2-1) eller luftmunstycket (1) är tilltäppta med material. Materialmunstycket (2-1) eller luftmunstycket (1) är skadade. Materialmunstycket (2-1) är felaktigt fastsatt. Flödets viskositet är för hög eller för låg. Materialet flödar för snabbt eller för långsamt.	Rengör noggrant. Byt ut om nödvändigt. Lossa för att rengöra sätet. Späd flödet eller öka viskositeten. Justera ställskruven (9) för att minska eller öka flödet.
<b>FÄRG LÄCKER UT</b>	
 Materialmunstycket (2-1), och sprutnålen (2-2) är tilltäppta, skadade eller utslitna i sina respektiva säten. Sprutnålens ställskruv (9) sitter lös. Sprutnålsfjädern (7) är utslitna. Materialmunstycket (2-1) lös. Avlagring av färg mellan färgnålen (2-2) och nålpackningssatsen (11). Kolvsetet (6-1) är smutsigt, skadat eller har ett slitet säte. Kolvfjädern (8) är slitna. Kolvpackningen (6-2) är slitna.	Rengör och byt ut om nödvändigt. Drag åt. Byt ut. Drag åt. Kontrollera och rengör. Rengör eller byt ut. Byt ut. Byt ut.

### 7. RESERVELSLISTA



POS.	RESERVELSFÖRTECKNING	
1	LUFTMUNSTYCKE	
1R	LUFTMUNSTYCKE (WIDER1A R)	
1-1	GHIERA UGELLO ARIA	
1-2	GUARNIZIONE UGELLO ARIA	
2-1	FÄRGMUNSTYCKE	•
2-2	FÄRGNÅL	•
3	PISTOL KROPP	
3-1	LUFTNIPPEN	
4	STÄLLSKRUV FÖR SPRUTBILD	
4R	SKRUVLOCK (WIDER-1AR)	
5	LUFTVENTILSSÄTE	
5-1	O RING	•
6-1	KOLV	
6-2	KOLVÅTNING	•
7	FÄRGNÅLSFJÄDER	
8	KOLVFJÄDER	
9	FÄRGNÅLSJUSTERING	
10	FIXERINGSSKRUV	
11	FÄRGNÅLPACKNINGSMUTTER	•
12	SKYDD	
13	BORSTE	
15	SNABBKOPPLING Ø 6 (CYL)	
16	SNABBKOPPLING Ø 8 (CAP)	

### FÄRGMUNSTYCKE - FÄRGNÅL KOMBINATIONER

	FÄRGMUNSTYCKE		FÄRGNÅL
	Ø mm (in)	Märkning	Märkning
WIDER1A	0.8 (0.031)	W1/08	12H WIDER1A
	1.0 (0.039)	W1/10	
	1.3 (0.051)	W1/13	15H WIDER1A
	1.5 (0.059)	W1/15	
	0.5 (0.020)	W1/05	
WA-200SP (WB)	0.8 (0.031)	W2-2/V8-08	12H WIDER1A
	1.0 (0.039)	W2-2/V8-10	
	1.2 (0.047)	W2-2/V8-12	15H WIDER1A
	1.4 (0.055)	W2-2/V8-14	
	1.6 (0.063)	W2-2/V8-16	
WA-200FT INTEGRA	0.6 (0.024)	W2/06	12H WIDER1A
	0.8 (0.031)	W2/08	
	1.0 (0.039)	W2/10	15H WIDER1A
	1.2 (0.047)	W2/12	
	1.5 (0.059)	W2/15	
ZP2-A	2.0 (0.079)	W2/20	20H WIDER2A
	2.5 (0.098)	W2/25	25H WIDER2A
	2.0 (0.079)	ZP2/20	---
	2.5 (0.098)	ZP2/25	

• De markerade delarna utsätts för slitage.



**SETA ALDRIG BORT FÄRGNIPPEN FRÅN PISTOLKROPPEN!** Fel som uppstår på grund av avlägsnande av dessa delar, kommer inte att täckas av garantin. Vid utbyte av delarna, kontakta din tekniska service direkt.



När beställningar gör ska du komma ihåg att ange pistolens modell, reservdelens benämning tillsammans med referensnummer, initialerna för luftmunstycket, färgmunstycket och färgnålen.

**WAŻNE:** Przed użyciem lub konserwacją należy bardzo dokładnie przeczytać niniejszą instrukcję. Niniejszą instrukcję należy przechowywać w bezpiecznym miejscu, aby móc z niej skorzystać w przyszłości.

### ZGODNOŚĆ Z DYREKTYWĄ ATEX

Automatyczne pistolety natryskowe ANEST IWATA są zgodne z dyrektywą Atex 2014/34/EU odnoszącą się do urządzeń i systemów ochronnych przeznaczonych do użytku w strefach zagrożonych wybuchem.

**OZNACZENIE PEŁNEJ ZGODNOŚCI:** UK CA CE Ex II 2 G Ex h IIB T6 Gb X +5°C ≤ Ta ≤ +40°C

**SKRÓCONE OZNACZENIA NA PISTOLECIE:** UK CA CE Ex II 2 G Ex h X

### ZAWSZE PRZESTRZEGAJ OSTRZEŻEŃ I ZALECEŃ TEJ INSTRUKCJI

SYMBOL	OSTRZEŻENIE	POTENCJALNIE NIEBEZPIECZNA SYTUACJA	KONSEKWENCJE
	OSTRZEŻENIE OSTROŻNOŚĆ WAŻNE		ŚMIERĆ LUB POWAŻNE OBRAŻENIA NIEWIELKI LUB UMIARKOWANY URAZ SZKODA MAJĄTKOWA

## 1. SPECYFIKACJE TECHNICZNE

MODELE	WA-200SP	WA-200FT	ZP2-A	WIDER1A	WIDER1A R
Maks. ciśnienie robocze:	7.0 bar (100 PSI)				
Poziomy hałas (LAeqT)*	76.8 dB(A)	81.2 dB(A)	79.0 dB(A)	78.7 dB(A)	62.8 dB(A)
Nypel powietrza:	G1/4"			Atomizacja (CAP) ø 8 mm Roboczy (CYL) ø 6 mm	
Nypel materiału:	G3/8"			G1/4"	
Maks. temperatura:	Atmosfera 5 ~ 40 °C / powietrze-płyn 5 ~ 43 °C				

\* Punkt pomiarowy: 1m do tyłu od pistoletu, wysokość 1,6 m.

### 1.1 DANE TECHNICZNE

WA-200SP INTEGRA (Wersja na bazie wody)	WA-200FT INTEGRA	ZP2-A (Wersja do farb ściernych)	WIDER1A	WIDER1A R (Okragły Wzór)						
WA-200SP-08WB1P	0.8									
WA-200SP-10WB1P	1.0									
WA-200SP-12WB1P	1.2	WB1	1.6	340						
WA-200SP-14WB1P	1.4				380	420				
WA-200SP-16WB1P	1.6									
WA-200FT-06LV2	0.6	LV2	2.0	255						
WA-200FT-08LV2	0.8				270	280				
WA-200FT-10LV2	1.0						500	530		
WA-200FT-12LV2	1.2								400	420
WA-200FT-15LV2	1.5									
WA-200FT-08G2P	0.8	330	340							
WA-200FT-10G2P	1.0			400	320					
WA-200FT-12G2P	1.2					360	330			
WA-200FT-15K2	1.5							500	500	
WA-200FT-20R2	2.0									R2
WA-200FT-25W1	2.5	W1								
ZP2-A (Wersja do farb ściernych)										
ZP2-A20	2.0			ZP2-R1Z	3.4	760				
ZP2-A25	2.5						500	380	450	
WIDER1A										
WIDER1A-08E2P	0.8	E2P	3.0	150						
WIDER1A-10E2P	1.0			200						
WIDER1A-10E1	1.0	E1	3.0	100						
WIDER1A-13H2	1.3			90						
WIDER1A-13H2	1.3	H2	3.0	140						
WIDER1A-13H2	1.3			250						
WIDER1A R (Okragły Wzór)										
WIDER1A-05R	0.5	05R	3.0	20						
				40						
				35						
				400						

## 2. INFORMACJE DOTYCZĄCE BEZPIECZEŃSTWA

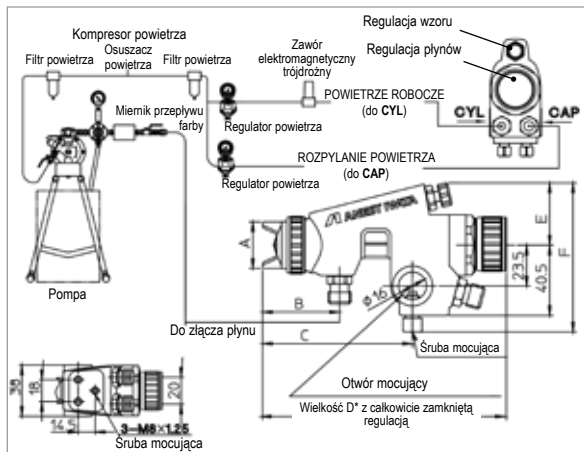
<b>OSTRZEŻENIE:</b>	
<b>POŻAR I WYBUCH</b>	
Nigdy nie stosować następujących HALOGENOWANYCH ROZCIĘCZALNIKÓW WĘGLOWODOROWYCH jak np.: chlorek metylu, dichlorometan, 1,2-dichloroetan, czterochlorek węgla, trichloroetylen, 1,1,1-trichloroetan. Mogą spowodować pęknięcia lub rozpuszczenie korpusu pistoletu (aluminium) w wyniku reakcji chemicznej.	
Trzymać z dala od źródeł iskrzenia i otwartego ognia. Farby mogą być wysoce łatwopalne i mogą spowodować pożar. Nie wystawiać na działanie otwartego ognia, urządzeń elektrycz., papierosów...	
Beziepiecznie uziemić pistolet natryskowy za pomocą przewodzącego przewodu powietrza. (<1MΩ). Zawsze zwracać uwagę na prawidłowe uziemienie pistoletu natryskowego.	
<b>OCHRONA ORGANIZMU</b>	
Stosować w dobrze wentylowanym miejscu, w kabine natryskowej. Słaba wentylacja może spowodować zatrucie rozpuszczalnikami i pożar.	
Zawsze stosować środki ochronne (okulary ochronne, maska, rękawice), aby uniknąć zapalenia oczu i skóry. W przypadku dyskomfortu fizycznego natychmiast zasięgnąć porady lekarza.	
W razie potrzeby stosować zatyczki do uszu. Poziomy hałas może przekraczać 80 dB(A) w zależności od warunków pracy i miejsca malowania.	
<b>NIEWŁAŚCIWE UŻYCI</b>	
Nigdy nie kieruj pistoletu w stronę ludzi lub zwierząt.	
Nigdy nie należy przekraczać maks. ciśnienia roboczego lub maks. temperatury roboczej.	
Przed czyszczeniem, demontażem lub serwisowaniem należy zawsze uwolnić ciśnienie powietrza i płynu. W przeciwnym razie utrzymujące się ciśnienie może spowodować obrażenia ciała wskutek nieprzewidzianej pracy lub rozlania cieczy czyszczącej. Aby uwolnić ciśnienie należy najpierw przerwać dopływ sprężonego powietrza i płynu do pistoletu. Następnie doprowadzić tylko powietrze robocze do tłoka i odprowadzić płyn przez iglicę płynu roboczego, co powoduje automatyczne zatrzymanie dopływu całego sprężonego powietrza.	
Końcówka iglicy ma ostrą końcówkę. Nie należy dotykać końcówki podczas konserwacji, aby uniknąć zranienia.	
Nigdy nie używać tego pistoletu do rozpylania żywności lub chemikaliów. Obca substancja może spowodować korozję przepustów płynu, co może mieć negatywny wpływ na zdrowie.	
Nigdy nie należy modyfikować tego pistoletu, aby uniknąć obniżenia wydajności i uszkodzeń.	
Jeśli zauważył nieprawidłowości, natychmiast przerywaj pracę i znajdź przyczynę. Nie używaj ponownie, dopóki nie rozwiążesz problemu.	
Nie wolno wchodzić do obszarów roboczych, w których używane są urządzenia automatyczne. dopóki nie zostaną wyłączone. W przeciwnym razie mogą one spowodować obrażenia.	

## 3. PRZED PIERWSZYM UŻYCIEM

	<b>OSTROŻNOŚĆ:</b> Stosować czyste powietrze zprefiltrowane przez osuszacz powietrza i filtr powietrza.
Przed pierwszym użyciem tego pistoletu należy rozpylić środek czyszczący w celu oczyszczenia przejść płynu i usunięcia oleju zapobiegającego rdzy.	
Należy stosować zawór elektromagnetyczny trójdrożny o przekroju poprzecznym większym niż ø 4 oraz wąż powietrzny o średnicy wewnętrznej większej niż ø 6 i długości mniejszej niż 10 m. Mała średnica zaworu elektromagnetycznego i dłuższy przewód powietrzny między zaworem elektromagnetycznym trójdrożnym a pistoletem mogą spowodować opóźnienie w działaniu.	
Mocno przycmocować wąż do pistoletu, aby uniknąć rozłączenia węża podczas pracy, co może spowodować obrażenia ciała.	

- Zamontować pistolet na rozwórce, ustawić na cel natrysku i zamocować śrubą mocującą.
- Podłączyć szczelnie wąż powietrza rozpylającego do strony powietrza rozpylającego (oznaczone CAP) i wąż powietrza roboczego do strony powietrza roboczego (oznaczone CYL).
- Podłączyć szczelnie wąż płynu do złączki płynu.
- Przeplukać przepusty płynu pistoletowego odpowiednim środkiem czyszczącym.
- Wlać farbę, wykonać natrysk próbny i wyregulować wydatek płynu, il.powietrza i szerokość wzoru.

### 3.1 PRZYKŁAD PODŁĄCZENIA WĘŻA POWIETRZA I WĘŻA PŁYNU



#### WYMIARY

MODELE	A	B	C	D*	E	F
WA-200SP INTEGRA	30.5	46.5	89	160	36	77.5
WA-200FT INTEGRA						
ZP-2-A						
WIDER1A	27	43.5	85.5	158	36	76.5
WIDER1A R	27	36.5	79	151.5	35	75.5

### 3.2 WYMIANA OPCJONALNYCH ZŁĄCZKAMI GWINTOWANYMI W WIDER1A

Zdjąć z korpusu pistoletu, półzłączką rozpylającą (oznaczoną CAP) dla węża  $\phi$  8 mm (średnica zewnętrzna) oraz półzłączką roboczą (oznaczoną CYL) dla węża  $\phi$  6 mm (średnica zewnętrzna) i zastąpić je opcjonalnymi złączkami gwintowanymi.

**PAMIĘTAJ, ABY DOKŁADNIE PODŁĄCZYĆ OPCJONALNE GWINTOWANE ŁĄCZNIKI DO KORPUSU PISTOLETU.**

## 4. SPOSÓB DZIAŁANIA

- Wyreguluj ciśnienie robocze powietrza (CYL) od 3 do 4 barów (43 do 57 PSI).

**UWAGA:** Kryza zaworu wewnątrz trójdrożnego zaworu elektromagnetycznego powinna wynosić min.  $\phi$  4 mm (0,157 in), długość węża powietrza roboczego powinna mieścić się w granicach 10 m (32,8 ft) o średnicy wewn. większej niż  $\phi$  6 mm (0,236 in), aby uniknąć opóźnienia w działaniu i jakiegokolwiek awarii.

- Chociaż ciśnienie powietrza rozpylającego zmienia się w zależności od warunków rozpylania, należy pociągnąć tlok pistoletu przy całkowicie otwartym zestawie regulacji wzoru i wyregulować zgodnie z powyższą tabelą specyfikacji.
- Zalecana lepkość farby różni się w zależności od właściwości farby i warunków malowania. Zalecane jest 15 do 23 s/Ford cup#4.
- Ustaw odległość natrysku od automatycznego pistoletu natryskowego do przedmiotu obrabianego w przypadku WIDER1A i WIDER1A R: 150-200 mm (5.9-7.9 in); WA-200SP / WA-200FT serii INTEGRA i ZP-2-A: 200-250 mm (7.9-9.8 in).

## 5. KONSERWACJA I PRZEGLĄD



#### OSTRZEŻENIE:

Przed wykonaniem konserwacji i kontroli **ZAWSZE** należy przestrzegać wskazań **OSTRZEŻENIA BEZPIECZEŃSTWA**.

Nigdy nie używaj części zamiennych, które nie są oryginalnymi częściami ANEST IWATA.

Nigdy nie należy uszkadzać końcówki dyszy materiału, iglicy ani otworów głowicy.

Nigdy nie zanurzaj pistoletu natryskowego całkowicie w cieczach, takich jak rozcieńczalnik.

Nigdy nie zanurzaj głowicy w płynie czyszczącym na dłuższy czas, nawet jeśli jest on czyszczony.

Nigdy nie używać metalowych przedmiotów do czyszczenia pistoletu.

### 5.1 PROCEDURA CZYSZCZENIA



Przepusty płynów w pistolecie, muszą być dokładnie oczyszczone po każdym użyciu, szczególnie po użyciu farb dwuskładnikowych. Niedokładne czyszczenie może spowodować nieprawidłowy kształt wzoru.

Oczyszczyć kanały płynów i zestaw głowicy. Rozpylić niewielką ilość środka czyszczącego, aby oczyszczyć kanały płynów. Niedokładne czyszczenie może spowodować brak kształtu wzoru i jednolitego natrysku.

Każdą sekcję wyczyścić szczotką nasączoną środkiem czyszczącym i wytrzeć ścierką. Nie należy zanurzać całego pistoletu w środku czyszczącym. Może to spowodować uszkodzenie części. Podczas czyszczenia należy zapobiegać zarysowywaniu otworów głowicy, dyszy oraz iglicy.

### 5.2 PROCEDURA CZYSZCZENIA

- Zdjąć głowicę, przy całkowicie otwartym zestawie regulacji płynu, odkręcić nakrętkę sześciokątną regulacji i wyjąć zestaw regulacji płynu (9), sprężynę tłoka (8) i sprężynę iglicy (7), następnie wyciągnąć iglicę (2-2) w linii prostej z korpusu pistoletu, w celu ochrony zestawu uszczelniającego iglicę (11). Podczas tej operacji należy zwrócić uwagę, aby zestaw regulacji materiału (9) nie został gwałtownie wypchnięty, ponieważ jest silnie naciskany przez sprężynę iglicy (7) i sprężynę tłoka (8).

- Po wyjęciu iglicy (2-2), odkręcić dyszę (2-1) i wyjąć ją z gniazda, zdjąć osłonę (12) uszczelnienia iglicy, odkręcić nakrętkę sześciokątną uszczelnienia iglicy (11) i wyjąć ją z korpusu pistoletu.

- Abi zdjąć zespół tłoka (6-1), należy wkręcić tylną część zestawu iglicy do płynu (2-2) w tlok i wyciągnąć go z korpusu pistoletu. Podczas tej operacji należy uważać, aby nie uszkodzić uszczelnienia tłoka (6-2) i O'ringu. **WAŻNE:** Podczas ponownego montażu tłoka (6-2), należy nasmarować uszczelnienie tłoka (6-2) i O'ring (5-1), aby uniknąć zakłóceń w ruchu tłoka.

- Do demontażu zestawu gniazda zaworu powietrza (5) należy użyć dostępnego na rynku klucza (14mm). Podczas tej operacji należy uważać, aby nie uszkodzić O'ringów i części gniazda.

W celu demontażu zestawu do regulacji materiału (9) z wersji WIDER1A należy ręcznie odkręcić radełkowaną część pierścienia, a w przypadku wersji WA-200SP & WA-200SP INTEGRA odkręcić wyprostowaną część pierścienia za pomocą odpowiedniego klucza.

- WAŻNE:**
  - NIGDY NIE NALEŻY DEMONTOWAĆ POKRĘTŁA REGULACYJNEGO Z CAŁEGO ZESTAWU.**
  - DEMONTAŻ I PONOWNY MONTAŻ ZESTAWU DO REGULACJI PŁYNÓW NALEŻY ZAWSZE PRZEPROWADZAĆ PRZY CAŁKOWICIE OTWARTYM POKRĘTLE REGULACJI PŁYNÓW.**

Podczas ponownego montażu zestawu do regulacji płynów (9), przy całkowicie otwartej regulacji, należy przyłożyć do gwintu nakrętki pierścieniowej smar bez silikonu lub oleju.

**WAŻNE: W CELU PONOWNEGO MONTAŻU NALEŻY POSTĘPOWAĆ W SPOSÓB ODWRÓTNY, WYKONUJĄC PUNKTY W KOLEJNOŚCI MAŁEJĄCEJ.**

### 5.3 WAŻNE ZALECENIA



Zestaw uszczelniający iglicy (11), musi być zawsze regulowany przy włożonej iglicy (2-2): dokręcić go ręcznie (około 60 stopni obrotu), a następnie kluczem. Po wyjęciu zestawu uszczelniającego iglicę (11), nie należy pozostawiać plastikowego kawałka zestawu uszczelniającego iglicę w korpusie pistoletu.

**WAŻNE:** Zbyt mocne dokręcenie zestawu uszczelniającego iglicę płynu (11) spowoduje, że iglica (2-2) nie będzie poruszała się płynnie, co spowoduje wyciek farby z końcówki dyszy materiałowej (2-1). Spróbuj wyregulować go ostrożnie, pociągając za spust i potwierdzając ruch iglicy (2-2). Jeśli dokręcić go zbyt mocno, powtórz operację.

Podczas wymiany zestawu dyszy (2-1) i iglicy (2-2) należy sprawdzić prawidłowość połączenia obu elementów, aby uniknąć wycieku farby z dyszy materiałowej podczas pracy pistoletu.





**!** W celu regulacji należy obrócić pokrętło zestawu do regulacji materiału (9). Standard pełnego zamknięcia przyrządu do regulacji materiału wymaga, aby szczelina między prowadnicą a pokrętłem wynosiła: 2 mm dla WIDER1A i 1 mm dla WA-200SP / WA-200 SP INTEGRA i ZP2-A.

Podczas regulacji zaleca się nie dokręcać zbyt mocno regulacji, gdyż jej nadmierne dokręcenie może spowodować deformację dyszy materiałowej.

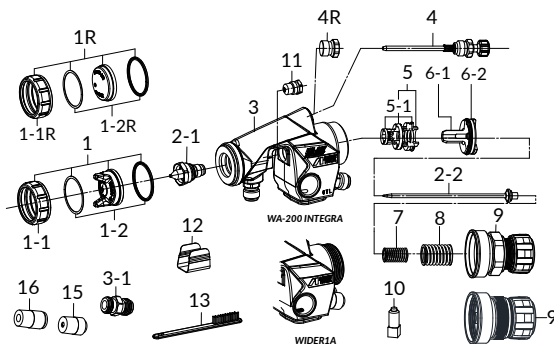
## 5.4 STANDARD KONTROLI I WYMIANY

GDZIE PRZEPROWADZIĆ KONTROLĘ	CZĘŚĆ ZAMIENNA
Każdy otwór przelotowy korka powietrza (1) i dysza materiałowa (2-1).	Wymień, jeśli jest zgnieciony lub zdeformowany.
Uszczelnienie i O ring.	Wymień, jeśli jest zdeformowany lub zużyty.
Wyciek z części gniazda pomiędzy dyszą (2-1) a iglicą (2-2).	Wymień je, jeśli wyciek nie ustanie po całkowitym oczyszczeniu dyszy (2-1) i iglicy (2-2). Jeśli wymieniasz tylko dyszę (2-1) lub iglicę (2-2), dopasuj je całkowicie i potwierdź, że nie ma wycieku.

## 6. ROZWIĄZYWANIE PROBLEMÓW

PROBLEM	ROZWIĄZANIE
<b>PISTOLET NIE ROZPYLA</b>	
 Pokrętło regulacji materiału (9) zamknięte.	Sprawdź i wyreguluj.
Otwór końcówki dyszy (2-1) zatłakany.	Sprawdź i wyczyść.
Odkładanie się farby pomiędzy iglicą (2-2) a zestawem uszczelniającym iglicę (11).	Sprawdź i wyczyść.
<b>PRZERYWANY STRUMIEŃ CIECZY/MATERIAŁU</b>	
 Z dyszy (2-1) i stożkowych gniazd korpusu pistoletu wydostaje się powietrze.	Sprawdź, wyczyść lub wymień.
Powietrze wydostaje się z uszczelnienia iglicy (11).	Dokręć.
Ze złącza węża płynu wydostaje się powietrze.	Dokręć.
Zanieczyszczone wnętrze zestawu głowicy (1).	Wyczyść.
<b>WADLIWY OBRAZ NATRYSKU</b>	
 Zabrudzona dysza (2-1) lub zestaw głowicy (1).	Wyczyść dokładnie.
Dysza (2-1) lub głowica (1) zostały uszkodzone.	Wymień.
Dysza (2-1) jest poluzowana.	Dokręć.
Zbyt wysoka lub zbyt niska lepkość farby.	Rozcieńcz farbę lub zwiększ lepkość.
Wydajność płynu zbyt wysoka lub zbyt niska.	Ustaw pokrętło reg. płynu (9) w celu zmniejszenia lub zwiększenia
<b>WYCIĘKANIE</b>	
 Dysza (2-1), iglica (2-2) lub korpus pistoletu, zabrudzone, uszkodzone lub zużyte na gnieździe.	Sprawdź, wyczyść lub zamień.
Luźne pokrętło regulacji materiału (9).	Dokręć.
Zestaw sprężyn iglicy (7) jest zużyty.	Wymień..
Luźny zestaw dyszy (2-1).	Dokręć.
Zestaw uszczelnienia iglicy (11) luźny, zbyt ciasny, zabrudzony lub zużyty.	Sprawdź, wyczyść lub wymień.
Zestaw tłoka (6-1) zabrudzony, uszkodzony, zużyty na gnieździe.	Wyczyść lub wymień.
Sprężyna tłokowa (8) jest zużyta.	Wymień.
Uszczelnienie tłoka (6-2) jest zużyte.	Wymień.

## 7. CZĘŚCI ZAMIENNE



POZ.	OPIS
1	GŁOWICA
1R	GŁOWICA (WIDER-1AR)
1-1	PIERŚCIEN POKRYWY GŁOWICY
1-2	USZCZELNIENIE GŁOWICY
2-1	DYSZA MATERIAŁOWA
2-2	IGLICA
3	KORPUS
3-1	NYPEŁ POWIETRZA
4	POKRĘTŁO REGULACJI WZORU
4R	ZĄŚLEPKA (WIDER-1AR)
5	UCZELNIE ZAWORU POWIETRZA
5-1	O RING
6-1	TŁOK
6-2	USZCZELNIENIE TŁOKA
7	SPRĘŻYNA IGLICY
8	SPRĘŻYNA TŁOKA
9	POKRĘTŁO REG. MATERIAŁU
10	ŚRUBA MOCUJĄCA
11	USZCZELNIENIE IGLICY
12	OSŁONA
13	SZCZOTKA
15	PÓŁZŁĄCZE DLA Ø 6 (CYL)
16	PÓŁZŁĄCZE DLA Ø 8 (CAP)

## KOMBINACJA ZESTAWU DYSZA\_IGLA

	FÄRGMUNSTTYCKE		FÄRGNÄL
	ø mm (in)	Märkning	
WIDER1A	0.8 (0.031)	W1/08	12H WIDER1A
	1.0 (0.039)	W1/10	
	1.3 (0.051)	W1/13	15H WIDER1A
	1.5 (0.059)	W1/15	
	0.5 (0.020)	W1/05	
WA-200SP (WB)	0.8 (0.031)	W2-2/V8-08	12H WIDER1A
	1.0 (0.039)	W2-2/V8-10	
	1.2 (0.047)	W2-2/V8-12	15H WIDER1A
	1.4 (0.055)	W2-2/V8-14	
	1.6 (0.063)	W2-2/V8-16	
WA-200FT INTEGRA	0.6 (0.024)	W2/06	12H WIDER1A
	0.8 (0.031)	W2/08	
	1.0 (0.039)	W2/10	15H WIDER1A
	1.2 (0.047)	W2/12	
	1.5 (0.059)	W2/15	
WA-200FT INTEGRA	2.0 (0.079)	W2/20	20H WIDER2A
	2.5 (0.098)	W2/25	25H WIDER2A
	2.0 (0.079)	ZP2/20	---
ZP2-A	2.5 (0.098)	ZP2/25	---

• Części oznaczone są częściami zużywalnymi

**!** NIGDY NIE NALEŻY USUWAĆ ZŁĄCZKI PŁYNU Z KORPUSU PISTOLETU! Wszelkie usterki wynikające z usunięcia tej części nie będą objęte gwarancją. W przypadku wymiany należy skontaktować się bezpośrednio z serwisem technicznym.

**!** Przy zamawianiu części należy podać model pistoletu, nazwę części z numerem i oznaczonym numerem zestawu głowicy, dyszy i iglicy.

## EU DECLARATION OF CONFORMITY

### PRODUCT OBJECT OF THE DECLARATION:

WA-200SP - WA-200FT INTEGRA - ZP2-A | WIDER1A - WIDER1A R

**Manufacturer:**

ANEST IWATA Corporation  
3176, Shinyoshida-cho, Kohoku-ku  
Yokohama 223-8501, JAPAN

**Authorised representative:**

ANEST IWATA Strategic Center  
Via Degli Aceri, 1  
21010 Cardano al Campo, ITALY

**This declaration of conformity is issued under  
the sole responsibility of the manufacturer**

The object of the declaration described above is in conformity with  
the relevant Union harmonisation legislation:

Directive 2014/34/EU - EN 1127-1:2019 - EN ISO 80079-36:2016  
EN 1953:2013  
Machinery Directive 2006/42/EU

**Notified body storage of technical file:**  
Eurofins 0032

Signed for and on behalf of ANEST IWATA Strategic Center  
21010 Cardano al Campo, ITALY - January 1st 2022

Takuya Matsumoto  
Managing director



## UK DECLARATION OF CONFORMITY

### PRODUCT OBJECT OF THE DECLARATION:

WA-200SP - WA-200FT INTEGRA - ZP2-A | WIDER1A - WIDER1A R

**Manufacturer:**

ANEST IWATA Corporation  
3176, Shinyoshida-cho, Kohoku-ku  
Yokohama 223-8501, JAPAN

**Authorised representative:**

ANEST IWATA UK Ltd  
7 Chester Rd, Eaton Socon  
Saint Neots PE19 8YT, UK

**This declaration of conformity is issued under  
the sole responsibility of the manufacturer**

The object of the declaration described above is in conformity with  
the relevant Union harmonisation legislation:

UKSI 2016:1107 - BS EN 1127-1:2019 - BS EN ISO 80079-36  
BS EN 1953:2013 - UKSI 2008:1597

**Notified body storage of technical file:**  
TÜV Italia 0168

Signed for and on behalf of ANEST IWATA UK Ltd  
Saint Neots PE19 8YT, UK - January 1st 2022

Tony Robson  
Managing director







■ EUROPE

ANEST IWATA Italia S.r.l.  
Chieri (TO) - ITALY  
info@anest-iwata-it.com  
www.anest-iwata-coating.com

ANEST IWATA Deutschland GmbH  
Leipzig - GERMANY  
info@anest-iwata-de.com  
www.anest-iwata-coating.com

ANEST IWATA France S.A.  
Saint Quentin Fallavier, Lyon - FRANCE  
info@anest-iwata-fr.com  
www.anest-iwata-coating.com

ANEST IWATA U.K. Ltd.  
St. Neots Cambridgeshire - ENGLAND  
info@anest-iwata-uk.com  
www.anest-iwata-coating.com

ANEST IWATA Iberica S.L.U.  
Saint Adrià del Besos Barcelona - SPAIN  
info@anest-iwata-ib.com  
www.anest-iwata-coating.com

ANEST IWATA Scandinavia AB.  
Partille, Göteborg - SWEDEN  
info@anest-iwata-se.com  
www.anest-iwata-coating.com

ANEST IWATA Polska Sp. Z o.o.  
Jasin / Swarzędz POLAND  
info@anest-iwata.com.pl  
www.anest-iwata-coating.com

■ RUSSIA

ANEST IWATA Russia LLC  
Moscow - RUSSIA  
tam@anestiwata.ru  
www.anestiwata.ru

■ NORTH AMERICA

ANEST IWATA USA Inc.  
West Chester - Ohio - U.S.A.  
inquiry@anestiwata.com  
www.anestiwata.com

■ SOUTH AMERICA

AIRZAP-ANEST IWATA INDÚSTRIA COMÉRCIO Ltda.  
Sao Paulo - BRAZIL  
contato@anest-iwata.net.br  
www.anest-iwata.net.br

■ AUSTRALIA

ANEST IWATA Australia Pty Ltd.  
Sidney - AUSTRALIA  
info@anest-iwata.com.au  
www.anest-iwata.com.au

■ SOUTH AFRICA

ANEST IWATA South Africa Pty Ltd.  
Johannesburg - REPUBLIC OF SOUTH AFRICA  
www.anest-iwata.co.za

■ ASIA

ANEST IWATA Coating Solutions Corporation  
Yokohama - JAPAN  
www.anest-iwata.co.jp

ANEST IWATA KOREA Corporation  
Ansan City - KOREA  
inquiry@aikr.co.kr  
www.aikr.co.kr

ANEST IWATA Shanghai Corporation  
Shanghai - CHINA  
customer@anest-iwata-sh.com  
www.anest-iwata-sh.com

ANEST IWATA Taiwan Corporation  
Hu-Kuo - TAIWAN R.O.C.  
service@anestiwata.com.tw  
www.anestiwata.com.tw

ANEST IWATA Vietnam CO. Ltd.  
Ho Chi Minh City - VIETNAM  
info@anest-iwata.vn  
www.anest-iwatasoutheastasia.com

PT. ANEST IWATA Indonesia  
Jakarta - INDONESIA  
www.anest-iwatasoutheastasia.com

ANEST IWATA Southeast Asia CO. Ltd.  
Bangkok - THAILAND  
info@anest-iwata.co.th  
www.anest-iwatasoutheastasia.com

ANEST IWATA Motherson Coating Equipment Ltd.  
Noida - INDIA  
sales@aim.motherson.com  
www.motherson.com/anest-iwata-motherson.html

HEADQUARTER:

ANEST IWATA Corporation  
Yokohama - JAPAN  
www.anest-iwata.co.jp

ANEST IWATA Strategic Center S.r.l.  
Cardano al Campo (VA) - ITALY  
info@anest-iwata-st.com  
www.anest-iwata-coating.com