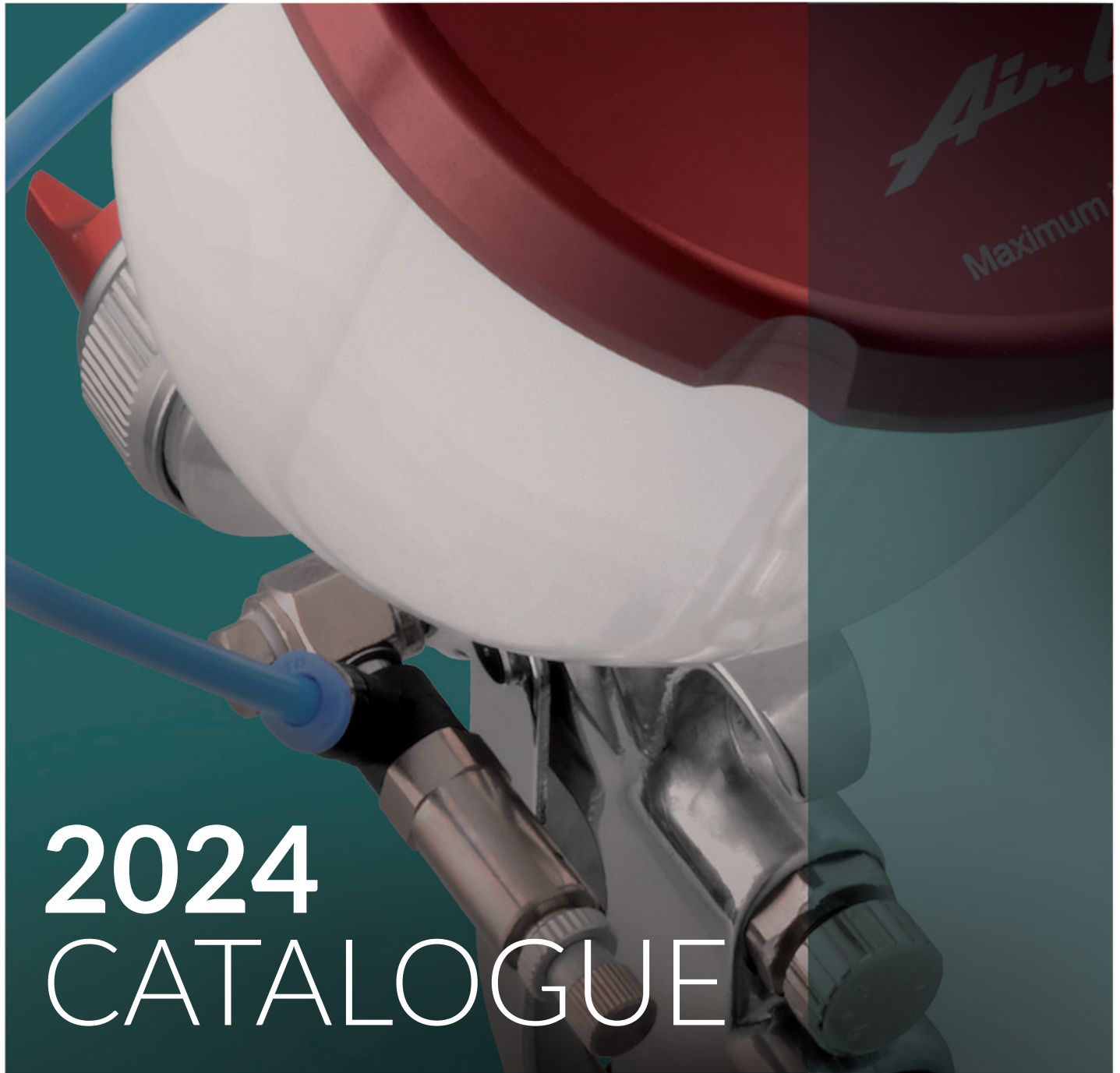


# SPRAY GUNS & ACCESSORIES FOR AIRGUNSA



## 2024 CATALOGUE

**Air-GunSA**  
ANEST IWATA Group

PROFESSIONAL COATING EQUIPMENT SPECIALIST



# PASSION FOR PAINTING

We are passionate about painting and eager about creating; for this, we design spray guns which help you to cross any boundary.

YOUR CUSTOMERS, OUR MISSION.

## GROUP

Anest Iwata carries more than 90 years-experience in the coating industry, combining the most sophisticated Japanese craftsmanship tradition to the continuous search for leading-edge technology.

## PASSION & PERFORMANCE

As a global group we aim to deliver the most technically advanced spraying equipment on the market. When designing our products we think about highly professional and creative individual who have passion for painting and are looking for the greatest performance. With this in mind we always try to reach for the highest standards of sophistication, creativity and technical realization.

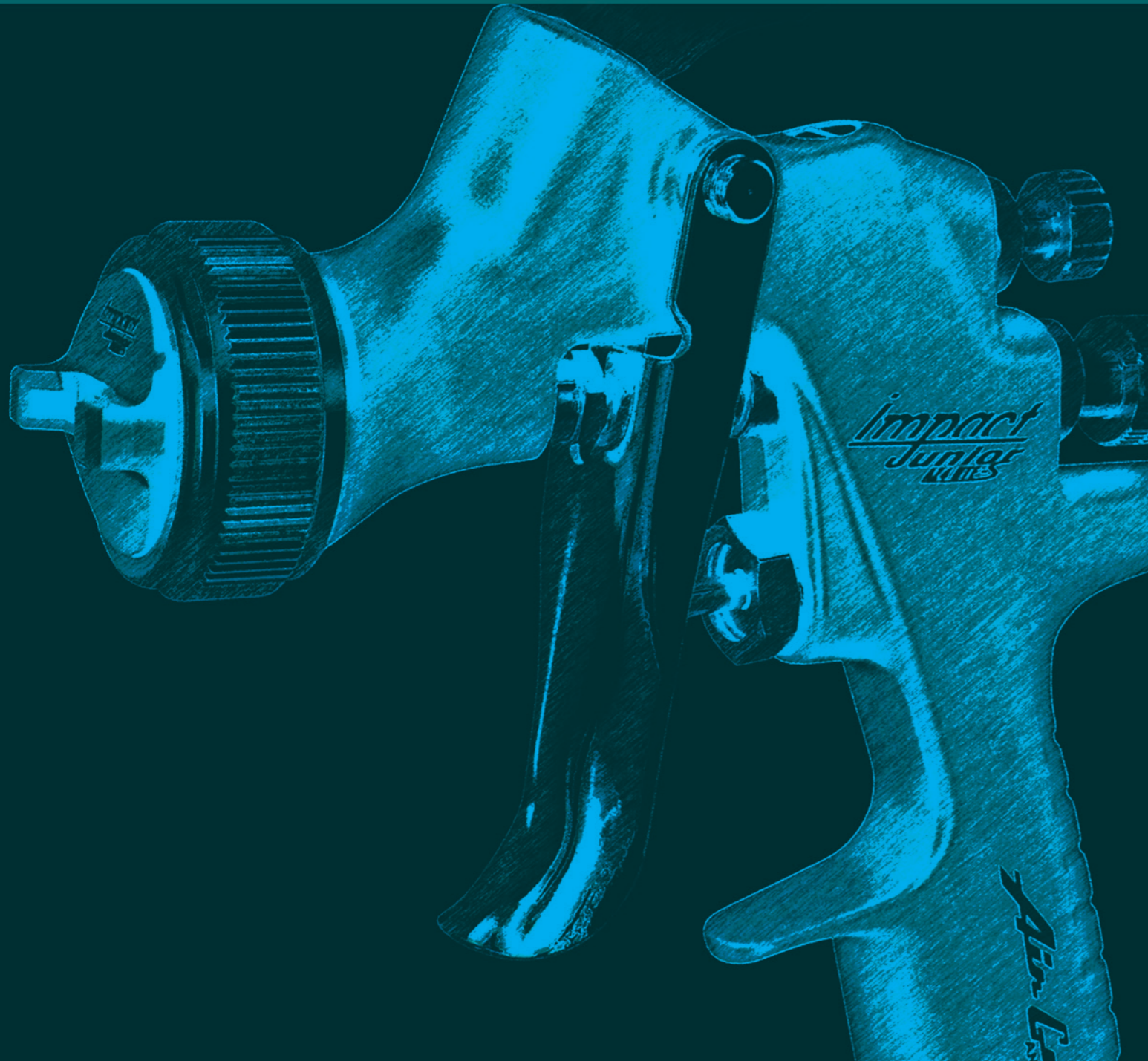
## A WIDE RANGE

Our range of products varies from several spray guns lines, pumps and painting accessories, projected ad hoc for different paint application and to satisfy the customer in his research for the best solution.

## CUSTOMER ORIENTED

The automotive refinish, together with the industrial and the wood sector are only few of the areas in which the Anest Iwata experience has found its appreciation between the users, not only for the excellence of our tools, but also for the attentive service our customers can count on. Anest Iwata effort in providing the best results in performance is also conceived for the optimization of the resources and materials in the optic of begin environmental-friendly.

**Air Gun**  
ANEST IWATA Group





*Air-Gunsa*  
ANEST IWATA Group

JAPANESE  
HERITAGE  
&  
PIONEER  
MINDS

# SPRAY GUNS & ACCESSORIES FOR AIRGUNSA

Whether it's a first installation, a self-repair or a small retouch (spot repair) Anest Iwata has always been the point of reference for professional painters. The experience in the development of varnishing guns for the automotive sector has strengthened its image over time.

## INDEX

### 1. MANUAL SPRAY GUNS

**GRAVITY SPRAY GUNS**

AZ3 HTE-S IMPACT.....10

AZ3 HTE 2 SERIES.....12

AZ4 HTE-S IMPACT JUNIOR.....14

**PRESSURE AND SUCTION SPRAY GUNS**

AZ1 HTE 2P & AZ1 HTE 2S.....16

**GRAVITY SPRAY GUN WITH PRESSURIZED CUP**

AZ3 HTE P.A.S. CONCEPT .....18

### 2. GRAVITY CUPS & FILTERS

GRAVITY CUPS.....22

UV CUPS.....23

### 3. GENERAL ACCESSORIES

**HEALTH PROTECTION**

ANEST IWATA OVERALL.....26

VISIONSHIELD SERIES

GOGGLES & GLASSE.....27

VIPER HALF FACE GUARD MASK.....28

AIRFED 2020 FULL FACE MASK.....29

MAG STAND MAGNETIC SUPPORTS & GUN HOLDER.....30

IMPACT CONTROLLER 2.....31

### 4. GARAGE EQUIPMENT

AZ PVA | AZ PVA TN.....34

P6 | PL6 | AE7.....35

S8 | SP8.....36

ST | ST 1 | ST 1S.....37

#### ICONS LEGEND

-  NOZZLE SIZE
-  AIR CAP SET
-  AIR PRESSURE
-  FLUID OUTPUT
-  AIR CONSUMPTION
-  PATTERN WIDTH

1

MANUAL  
SPRAY GUNS



# GRAVITY SPRAY GUN

## AZ3 HTE-S Impact

### STANDARD QUALITY

#### FEATURES

- High quality filler spray gun
- Flat & Thin™ spray pattern with fine atomization
- All fluid passages are in stainless steel
- Trigger easy to dose
- Simple operation of the control knobs, for right and left handers
- Costs for spare parts replacement extremely customer friendly

### HOMOGENEOUS and FINE ATOMIZATION

### HTE-S IMPACT

### HIGH PERFORMANCE SPRAY TECHNOLOGY

**Impact**  
AZ3 HTE-S  
BLACK VERSION



**HTE**  
HIGH TRANSFER  
EFFICIENCY



• Air nipple: G1/4" • Fluid nipple: G1/4"

### CARTON BOX

AZ3 HTE-S Impact Spray Gun  
PCG-6P-2 AZ CUP - 600 ml  
Universal Spanner

### ORDER INFORMATION

	ø 1,2	ø 1,3	ø 1,4
AZ3 HTE-S IMPACT - Black Version	W0SPG90AG12C	W0SPG90AG13C	W0SPG90AG14C
AZ3 HTE-S IMPACT - Chrome Version	W0SPG91AG12C	W0SPG91AG13C	W0SPG91AG14C
AIR CAP SET (HTE-S1)	W2CAP90AG12		
FLUID NOZZLE + FLUID NEEDLE SET	W2ADU90AG12	W2ADU90AG13	W2ADU90AG14

	ø 1,6	ø 1,8	ø 2,0
AZ3 HTE-S IMPACT - Black Version	W0SPG90AG16C	W0SPG90AG18C	W0SPG90AG20C
AZ3 HTE-S IMPACT - Chrome Version	W0SPG91AG16C	W0SPG91AG18C	W0SPG91AG20C
AIR CAP SET (HTE-S2)	W2CAP90AG16		
FLUID NOZZLE + FLUID NEEDLE SET	W2ADU90AG16	W2ADU90AG18	W2ADU90AG20

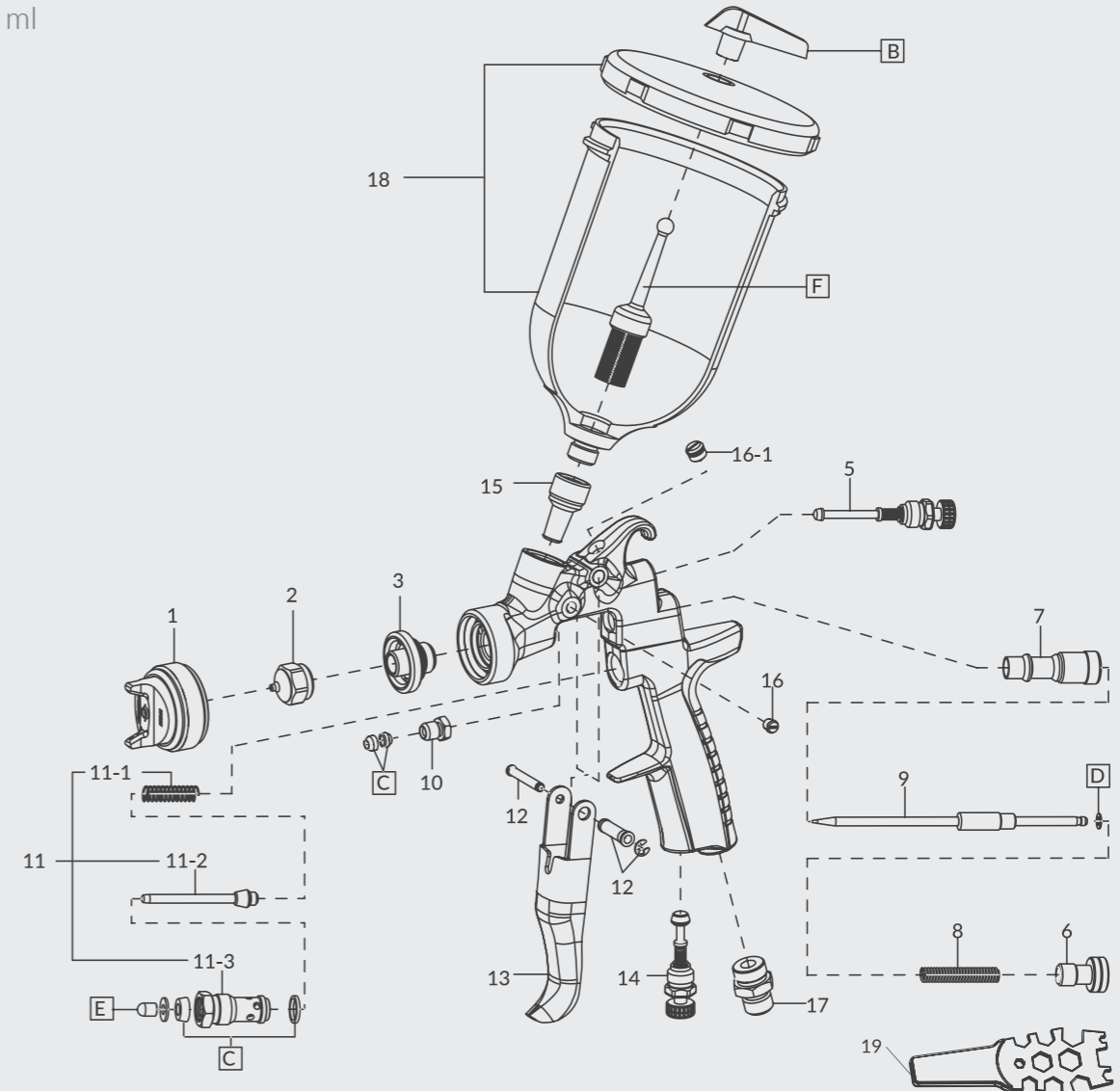


**CHROMED  
VERSION**

### PCG-6P-2-AZ

GRAVITY  
CUP  
600 ml

**Air-Gunsa**  
ANEST IWATA Group



### SPARE PARTS

REF.	CODE	DESCRIPTION	QTY.
1	see table on left page	AIR CAP SET	
2+9	see table on left page	FLUID NOZZLE + FLUID NEEDLE SET	
3	W3COM3050	NOZZLE HOLDER	
5	93842601	PATTERN ADJ. SET	
6	W2COM6077	FLUID NEEDLE ADJ. KNOB	
7	W2010140900	FLUID NEEDLE GUIDE	
8	W2010140800	FLUID NEEDLE SPRING	
10	W2010140600	FLUID NEEDLE PACKING NUT	
11	W2COM6080	AIR VALVE SET	
11-1	W2010141700	AIR VALVE SPRING	
11-2	W2010130600	AIR VALVE	
11-3	W2010130500	AIR VALVE SEAT	
12	W2COM4041	TRIGGER STUD	
13	W2COM6051	TRIGGER	
14	93845531	AIR ADJ. SET	
15	W3COM5038	THREADED BUSHING	
16	W2COM5004	SCREW	
16-1	W2COM6050	PLUG	
17	W2COM5039	AIR NIPPLE	
C	W2KIT56	PACKING SET	(3 pcs./1 pk.)
D	W2KIT33	SLIDE RING SET	(10 pcs./1 pk.)
E	W2KIT37	AIR VALVE SHAFT TIP SET	(3 pcs./1 pk.)

REF.	CODE	DESCRIPTION
18	W0CUPAZ90	PCG-6P-2-AZ GRAVITY CUP 600 ml
B	W2KIT07	NON DRIP SET (5 pcs./1 pk.)
F	W2KIT06	FILTER SET 50 MESH (297µ) (5 pcs./1 pk.)
19	930171A0	UNIVERSAL SPANNER



# GRAVITY SPRAY GUN

## AZ3 HTE2 AV-AZ3 HTE2 HVLP

### STANDARD QUALITY

#### FEATURES

- Robust spray gun for materials with high viscosity
- Trigger easy to dose
- Simple operation of the control knobs, for right and left handers
- Costs for spare parts replacement extremely customer friendly

#### HVLP

HIGH VOLUME LOW PRESSURE TECHNOLOGY

TECHNICAL DATA	Ø mm	No.	bar	ml/min	Nz/min	mm
AZ HTE2 AV	1.0	10-15HTE	2.0	80	200	180
	1.3			140		240
	1.5			160		260
	1.8	18-20HTE		250	215	300
	2.0			300	340	
	2.5	25HTE		450	280	360
	2.8	28-30HTE		540	300	380
3.0	560		400			
3.5	600		420			
AZ HTE2 HVLP	1.3	HVLP	3.0	150	340	280
	1.5			185		290
	1.8			215		340
	2.0			240		360

• Air nipple: G1/4" • Fluid nipple: G1/4"

SPECIAL WRENCH ACCESSORIES



HTE HIGH TRANSFER EFFICIENCY



#### CARTON BOX

AZ3 HTE2 HVLP Spray Gun  
PCG-6P-2B AZ CUP - 600 ml

### ORDER INFORMATION

#### with PCG 6P 2 AZ - CUP 600ml

AZ3 HTE2 AV	Ø 1,0	Ø 1,3	Ø 1,5	Ø 1,8	Ø 2,0
AZ3 HTE2 AV - 600 ml CUP	W0SPG80AG10C	W0SPG80AG13C	W0SPG80AG15C	W0SPG80AG18C	W0SPG80AG20C
AZ3 HTE2 AV - 600 ml CUP + AIR FLOW CONTROL VALVE	W0SPG81AG10C	W0SPG81AG13C	W0SPG81AG15C	W0SPG81AG18C	W0SPG81AG20C
AIR CAP SET	W2CAP80AG15				
FLUID NOZZLE + FLUID NEEDLE SET	W2010133500	W2010133600	W2010133700	-	-
FLUID NOZZLE + FLUID NEEDLE SET	-	-	-	W2010133800	W2010133900

#### with PCG 6P 2 AZ - CUP 600ml

AZ3 HTE2 AV	Ø 2,5	Ø 2,8	Ø 3,0	Ø 3,5
AZ3 HTE2 AV - 600 ml CUP	W0SPG80AG25C	W0SPG80AG28C	W0SPG80AG30C	W0SPG80AG35C
AZ3 HTE2 AV - 600 ml CUP + AIR FLOW CONTROL VALVE	W0SPG81AG25C	W0SPG81AG28C	W0SPG81AG30C	W0SPG81AG35C
AIR CAP SET	W2CAP80AG25	W2CAP80AG30		W2CAP80AG35
FLUID NOZZLE + FLUID NEEDLE SET	W2010134000	W2010134300	W2010134100	W2010134200

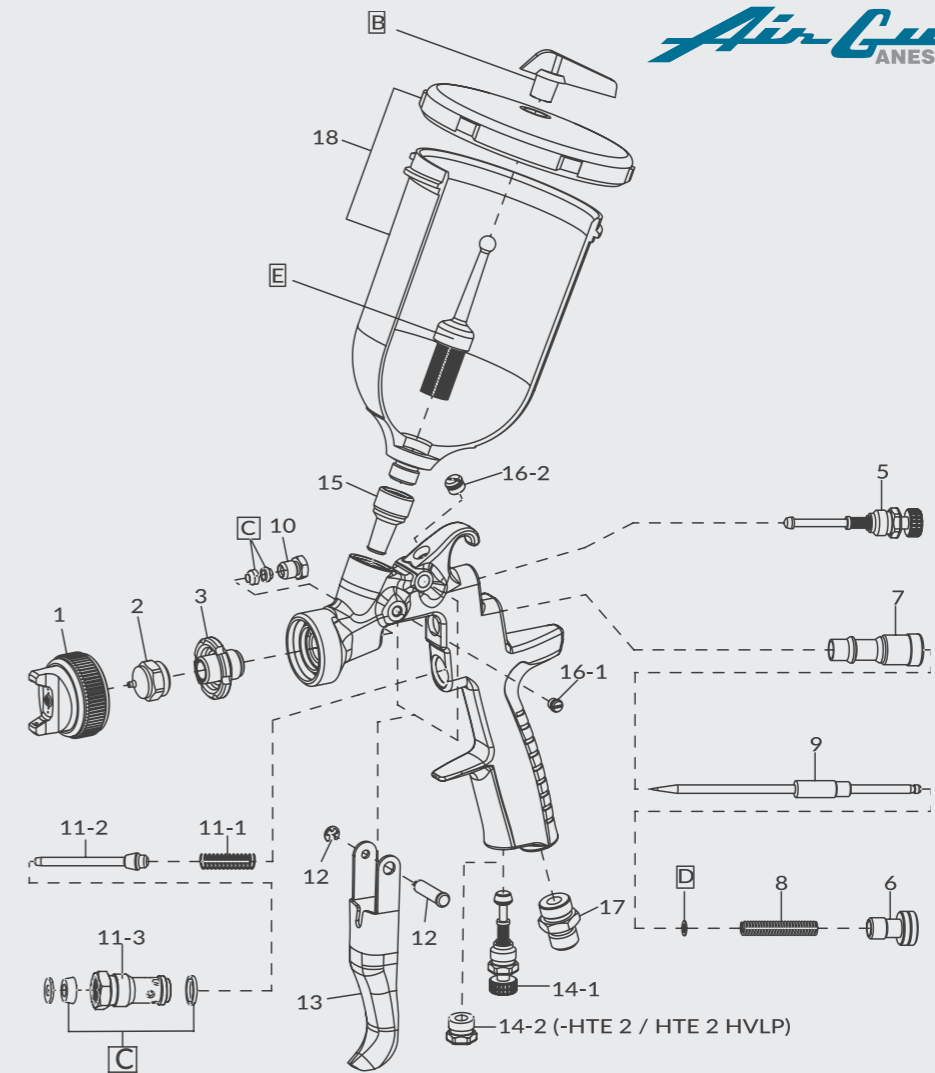
#### with PCG 6P 2 AZ - CUP 600ml

AZ3 HTE2 HVLP	Ø 1,3	Ø 1,5	Ø 1,8	Ø 2,0
AZ3 HTE2 HVLP - 600 ml CUP	W0SPG85AG13C	W0SPG85AG15C	W0SPG85AG18C	W0SPG85AG20C
AIR CAP SET (HVLP)	W2CAP84AG			
FLUID NOZZLE + FLUID NEEDLE SET	W2013031000	W2013031100	W2013031200	W2013031300

### PCG-6B 2B-AZ

GRAVITY CUP  
600 ml

Air-Gunsa ANEST IWATA Group



### SPARE PARTS

REF.	CODE	DESCRIPTION	QTY.
1	see table on left page	AIR CAP SET	
2+9	see table on left page	FLUID NOZZLE + NEEDLE SET	
3	W2010140200	NOZZLE HOLDER	
5	93842601	PATTERN ADJ. SET	
6	W2010141000	FLUID NEEDLE ADJ. KNOB	
7	W2010140900	FLUID NEEDLE GUIDE	
8	W2010140800	FLUID NEEDLE SPRING	
10	W2010140600	FLUID NEEDLE PACKING NUT	
11	W2010120100	AIR VALVE SET	
11-1	W2010141700	AIR VALVE SPRING	
11-2	W2010130600	AIR VALVE	
11-3	W2010130500	AIR VALVE SEAT	
12	W2COM4001	TRIGGER STUD	
13	W2COM6051	TRIGGER	
14-1	93845531	AIR ADJ. SET	
14-2	93625371	PLUG	
15	W2013040100	THREADED BUSHING	
16-1	W2COM5004	SCREW	
16-2	W2COM6050	PLUG	
17	W2COM5000	AIR NIPPLE	
C	W2KIT56	PACKING SET	(3 pcs./1 pk.)
D	W2KIT33	SLIDE RING SET	(10 pcs./1 pk.)

REF.	CODE	DESCRIPTION
18	W0012820100	PCG-6P-2B-AZ GRAVITY CUP 600 ml
B	W2KIT07	NON DRIP SET (5 pcs./1 pk.)
E	W2KIT06	FILTER SET 50 Mesh (297µ) (5 pcs./1 pk.)

### ACCESSORIES

CODE	DESCRIPTION
VPACAZ3H2	BLACK PLASTIC CASE (for 1 SPRAY GUN and 1 CUP)
W2503500100	SPECIAL WRENCH



# GRAVITY SPRAY GUN

## AZ4 HTE-S Impact Junior with BLACK AIR CAP

### SMART & SPOT REPAIR

This version has been designed to achieve those small and medium repairs on a vehicle body, which can be perfectly repaired thanks to the high transfer efficiency and the more control that this spray gun grants, together with the maximum comfort for the operator. Ideal for both water and solvent based paints, it is provided with an adjustable inlet valve and it is available both with a 200 ml or a 70 ml cup.



200 ml Gravity CUP

70 ml Gravity CUP



#### CARTON BOX

AZ4 HTE-S Spray Gun  
PCG-2P-2 CUP - 200 ml

#### CARTON BOX

AZ4 HTE-S Spray Gun  
PCG-1P-2 - 70 ml

TECHNICAL DATA	Ø mm	No.	bar	mL/min	NL/min	mm
AZ4 HTE-S	0.8	AZ4-1	1.0	50	105	120
	1.0			65		150
	1.2	80		160		
	1.3	AZ4-2		140		235

• Air nipple: G1/4" • Fluid nipple: G1/4"

### ORDER INFORMATION

	Ø 0,8	Ø 1,0	Ø 1,2	Ø 1,3
AZ4 HTE-S with 200 ml CUP	13000710	13000720	13000730	13000740
AZ4 HTE-S with 70 ml CUP	13001130	13001140	13001150	-
AIR CAP SET (AZ4-1)	93003740			93003750
FLUID NOZZLE + FLUID NEEDLE SET	93004580	93004590	93004600	93004610

## AZ4 HTE-S Impact Junior with ANODIZED GRAY AIR CAP

### GENERAL INDUSTRY

The AIR GUNSA range is enhanced by the new AZ4 HTE-S IMPACT Junior. This version of the new gun has been specially designed so GENERAL INDUSTRY applications can be painted with high transfer efficiency, more control and maximum comfort for the operator. Ideal for both water based and solvent based paints with adjustable inlet valve as standard. Available with 600 ml or 200 ml cup.

TECHNICAL DATA	Ø mm	No.	bar	mL/min	NL/min	mm
AZ4 HTE-S	1.5	AZ4-2	2.5	195	240	165
	1.8			275	245	185

• Air nipple: G1/4" • Fluid nipple: G1/4"

### ORDER INFORMATION

	Ø 1,5	Ø 1,8
AZ4 HTE-S with 600 ml CUP	13001160	13001170
AZ4 HTE-S with 200 ml CUP	13000750	13000980
AIR CAP SET (AZ4-2)	93003750	
FLUID NOZZLE + FLUID NEEDLE SET	93004620	93005650



600 ml Gravity CUP

200 ml Gravity CUP

with 600 ml CUP

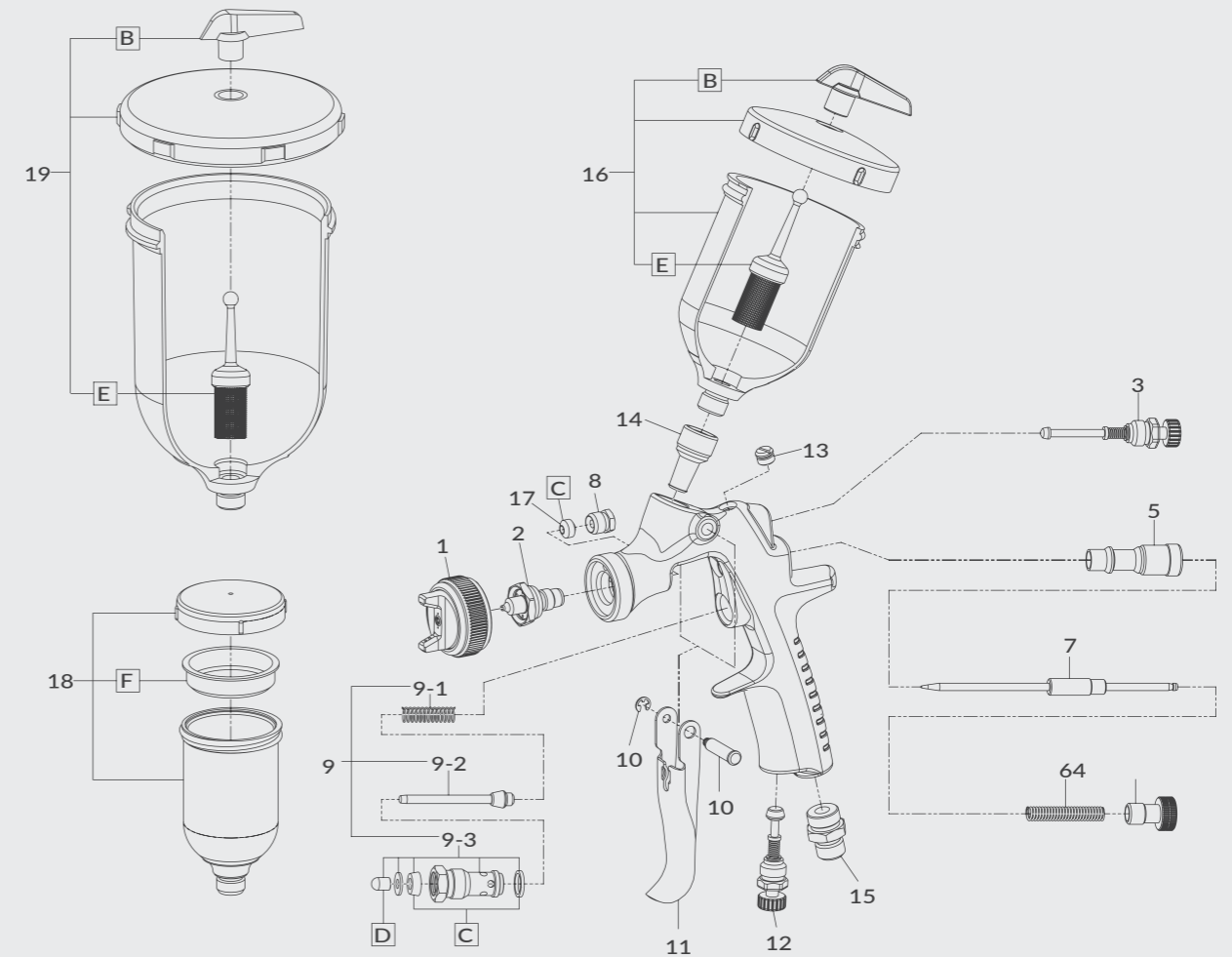
AZ4 HTE-S  
PCG-6P-2-AZ  
CUP - 600 ml

with 200 ml CUP

AZ4 HTE-S  
PCG-2P-2  
CUP - 200 ml

with 70 ml CUP

AZ4 HTE-S  
PCG-1P-2  
CUP - 70 ml



### SPARE PARTS

REF.	CODE	DESCRIPTION	QTY.
1	see table on left page	AIR CAP SET	
2+7	see table on left page	FLUID NOZZLE + NEEDLE SET	
3	93842601	PATTERN ADJUSTMENT SET	
4	W2010141000	FLUID NEEDLE ADJ. KNOB	
5	W2010140900	FLUID NEEDLE GUIDE	
6	W2010140800	FLUID NEEDLE SPRING	
8	W2COM3011	NEEDLE PACKING NUT	
9	W2COM6080	AIR VALVE SET	
9-1	W2010141700	AIR VALVE SPRING	
9-2	W2010130600	AIR VALVE	
9-3	W2010130500	AIR VALVE SEAT	
10	W2COM4001	TRIGGER STUD	
11	93003810	TRIGGER	
12	93845531	AIR ADJUSTMENT SET	
13	W2COM6050	PLUG	
14	W3COM5038	THREADED BUSHING	
15	W2COM5000	AIR NIPPLE	
17	W2COM2006	NEEDLE PACKING	
C	93005550	PACKING SET	(3 pcs./1 pk.)
D	W2KIT37	AIR VALVE SHAFT TIP SET	(5 pcs./1 pk.)

REF.	CODE	DESCRIPTION
<b>PCG - 2P - 2 GRAVITY CUP 200 ml</b>		
16	W0CUPAZ40IN	PCG-2P-2 GRAVITY CUP 200 ml
B	W2KIT07	NON DRIP SET (5pcs./1 pk.)
E	W2KIT06	FILTER SET 50 Mesh (297µ) (5pcs./1 pk.)
<b>PCG - 1P - 2 GRAVITY CUP 70 ml</b>		
18	13001200	PCG - 1P - 2 GRAVITY CUP 70 ml
G	W2KIT52	NON DRIP SET (3pcs./1 pk.)
<b>PCG - 6P - 2 - AZ GRAVITY CUP 600 ml</b>		
19	W0CUPAZ90	PCG-6P-2-AZ GRAVITY CUP 600 ml
B	W2KIT07	NON DRIP SET (5pcs./1 pk.)
E	W2KIT06	FILTER SET 50 Mesh (297µ) (5pcs./1 pk.)





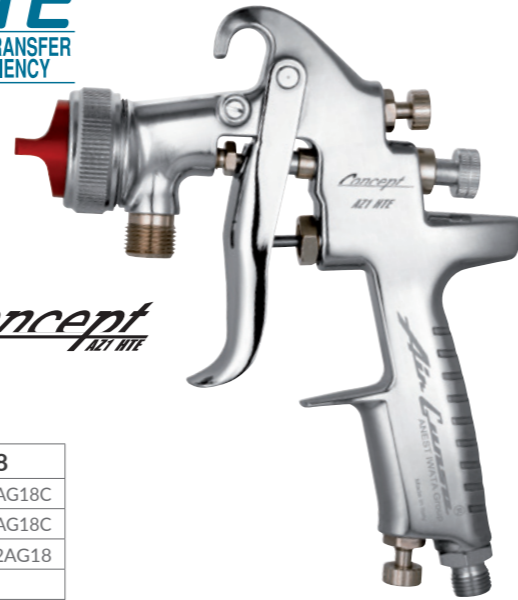
## AZ1 HTE 2P Pressure Spray Gun

TECHNICAL DATA		Ø mm	No.	bar	ml/min	Nl/min	mm
AZ1 HTE 2P PRESSURE	SHORT PATTERN	1.0	HTE-P0	2.5	200	184	220
		1.3					230
		1.5 - 1.8 - 2.0					240
		2.5 - 3.0 - 3.5					333
AZ1 HTE 2P PRESSURE	LONG PATTERN	1.0	HTE-P2	2.5	400	416	390
		1.3					400
		1.5 - 1.8 - 2.0					410
		2.5 - 3.0 - 3.5					333

• Air nipple: G1/4" • Fluid nipple: G1/4" or G3/8"

**HTE**  
HIGH TRANSFER EFFICIENCY

**Concept**  
AZ1 HTE



NEWLY DESIGNED AIR CAP



### ORDER INFORMATION

	Ø 1,0	Ø 1,3	Ø 1,5	Ø 1,8
AZ1 HTE 2P- Short Pattern	W0SPG72AG10C	W0SPG72AG13C	W0SPG72AG15C	W0SPG72AG18C
AZ1 HTE 2P- Long Pattern	W0SPG73AG10C	W0SPG73AG13C	W0SPG73AG15C	W0SPG73AG18C
NOZZLE + NEEDLE SET	W2ADU72AG10	W2ADU72AG13	W2ADU72AG15	W2ADU72AG18
AIR CAP SET - Short Pattern	W2CAP70AG13			
AIR CAP SET - Long Pattern	W2CAP73AG13			
	Ø 2,0	Ø 2,5	Ø 3,0	Ø 3,5
AZ1 HTE 2P- Short Pattern	W0SPG72AG20C	W0SPG72AG25C	W0SPG72AG30C	W0SPG72AG35C
AZ1 HTE 2P- Long Pattern	W0SPG73AG20C	W0SPG73AG25C	W0SPG73AG30C	W0SPG73AG35C
NOZZLE + NEEDLE SET	W2ADU72AG20	W2ADU72AG25	W2ADU72AG30	W2ADU72AG35
AIR CAP SET - Short Pattern	W2CAP70AG13		W2CAP72AG25	
AIR CAP SET - Long Pattern	W2CAP73AG13		W2CAP70AG25	

## AZ1 HTE 2S Suction Spray Gun

TECHNICAL DATA		Ø mm	No.	bar	ml/min	Nl/min	mm
AZ1 HTE 2S SUCTION	HTE-P0	1.0	2.5		66	184	170
		1.3			80		190
		1.5			113		200
		1.8			154		220
		2.0			169		230
		2.5			167		250
		3.0			205		290
		3.5			217		300

• Air nipple: G1/4" • Fluid nipple: G3/8"

**HTE**  
HIGH TRANSFER EFFICIENCY

**Concept**  
AZ1 HTE

NEWLY DESIGNED AIR CAP



### ORDER INFORMATION

	Ø 1,0	Ø 1,3	Ø 1,5	Ø 1,8
AZ1 HTE 2S + 1 lt. CUP	W0SPG70AG10C	W0SPG70AG13C	W0SPG70AG15C	W0SPG70AG18C
NOZZLE + NEEDLE SET	W2ADU83AG10	W2ADU83AG13	W2ADU83AG15	W2ADU83AG18
AIR CAP SET	W2CAP70AG13			
	Ø 2,0	Ø 2,5	Ø 3,0	Ø 3,5
AZ1 HTE 2S + 1 lt. CUP	W0SPG70AG20C	W0SPG70AG25C	W0SPG70AG30C	W0SPG70AG35C
NOZZLE + NEEDLE SET	W2ADU83AG20	W2ADU83AG25	W2ADU83AG30	W2ADU83AG35
AIR CAP SET	W2CAP70AG13		W2CAP70AG25	

## AZ1 HTE 2P Pressure & AZ1 HTE 2S Suction

### FEATURES

The newly designed range of air caps from AIR GUNSA are able to develop a long and tulip shaped spray pattern with an extra fine particles distribution and very little overspray.

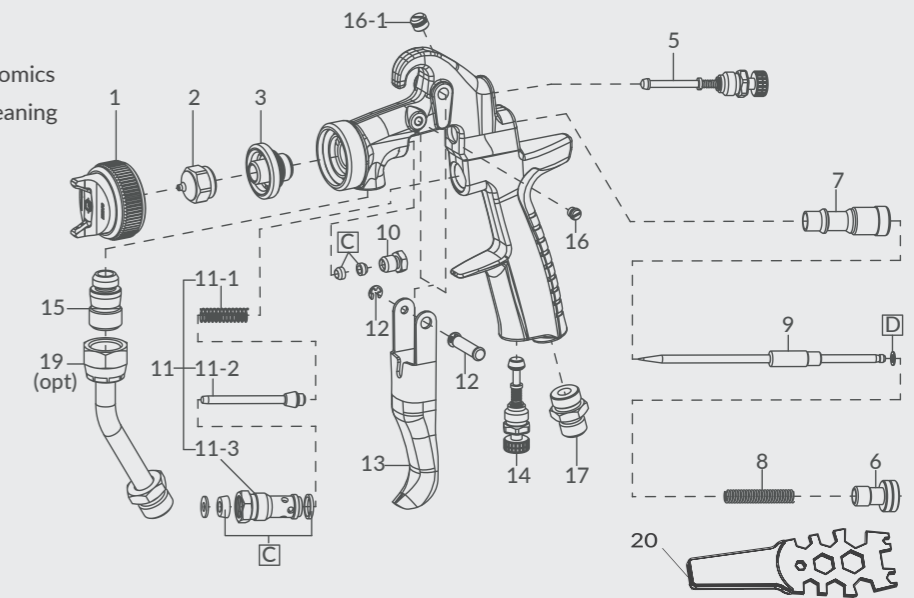
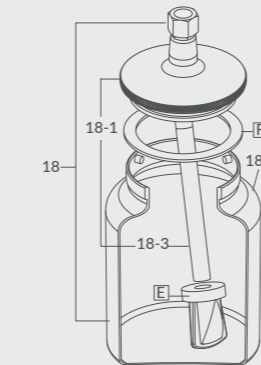
Flat and long pattern even spraying heavy materials

Newly designed air caps

High Transfer Efficiency (HTE Technology)

Easy manoeuvrability and improved ergonomics

Polished body surface for easy and fast cleaning



### SPARE PARTS

REF.	CODE	DESCRIPTION	QTY.
1	see table on left page	AIR CAP SET	
2+9	see table on left page	FLUID NOZZLE + NEEDLE SET	
3	W3COM3052	NOZZLE HOLDER	
5	93842601	PATTERN ADJUSTMENT SET	
6	W2010141000	FLUID NEEDLE ADJ. KNOB	
7	W2010140900	NEEDLE ADJ. GUIDE	
8	W2010140800	NEEDLE SPRING	
10	W2010140600	NEEDLE PACKING NUT	
11	W2010120100	AIR VALVE SET	
11-1	W2010141700	AIR VALVE SPRING	
11-2	W2010130600	AIR VALVE	
11-3	W2010130500	AIR VALVE SEAT	
12	W2COM4001	TRIGGER STUD	
13	W2COM6051	TRIGGER	
14	93845531	AIR ADJUSTMENT SET	
15	W2COM5048	FLUID NIPPLE G3/8"	
16	W2COM5004	SCREW	
16-1	W2COM6050	PLUG	
17	W2COM5000	AIR NIPPLE G1/4"	
19	W2COM5052	PAINT TUBE (OPT. FOR AZ1 HTE 2P)	
C	W2KIT56	PACKING SET	(3 pcs./1pk)
D	W2KIT33	SLIDE RING KIT	(10 pcs./1pk)

REF.	CODE	DESCRIPTION	QTY.
AG-1 - 1 lt. ALUMINIUM PIN LOCK CUP For AZ1 HTE 2S SUCTION SPRAY GUN			
18	04006100	AG-1 CONTAINER SET	1 lt.
18-1	04006110	LID SET	
18-2	04006130	SUCTION CONTAINER 1 lt.	
18-3	04010000	SUCTION TUBE	
E	W2KIT43	FILTER SET	(5 pcs./1pk)
F	W2KIT42	LID PACKING SET	(2 pcs./1pk)
20	930171A0	UNIVERSAL SPANNER	

### CARTON BOX

AZ1 HTE 2P Concept Spray Gun  
Universal Spanner



### CARTON BOX

AZ1 HTE 2S Concept Spray Gun  
AG-1 Suction Container 1lt.  
Universal Spanner



# GRAVITY SPRAY GUN

## AZ3 HTE P.A.S. Concept

### STANDARD QUALITY

#### FEATURES

- Robust spray gun with pressurized cup most suitable for high viscosity materials
- Large, uniform spray pattern also with high viscosity materials, thanks to the Pressure Assisted System (P.A.S.)
- Costs for spare parts replacement extremely customer friendly
- High material transfer rate
- All fluid passages are in stainless steel
- Precise mini-controller for cup pressure
- Trigger easy to dose

### HTE-P1 CONCEPT

HIGH PERFORMANCE SPRAY TECHNOLOGY

TECHNICAL DATA	Ø mm	No.	bar	m <sup>2</sup> /min	N <sup>2</sup> /min	mm
AZ3 HTE P.A.S. CONCEPT	1.3	HTE-P1 CONCEPT	2.5	190	286	270
	1.5			260		320
	1.8			396		380
	2.0			410		400

• Air nipple: G1/4" • Fluid nipple: G1/4"

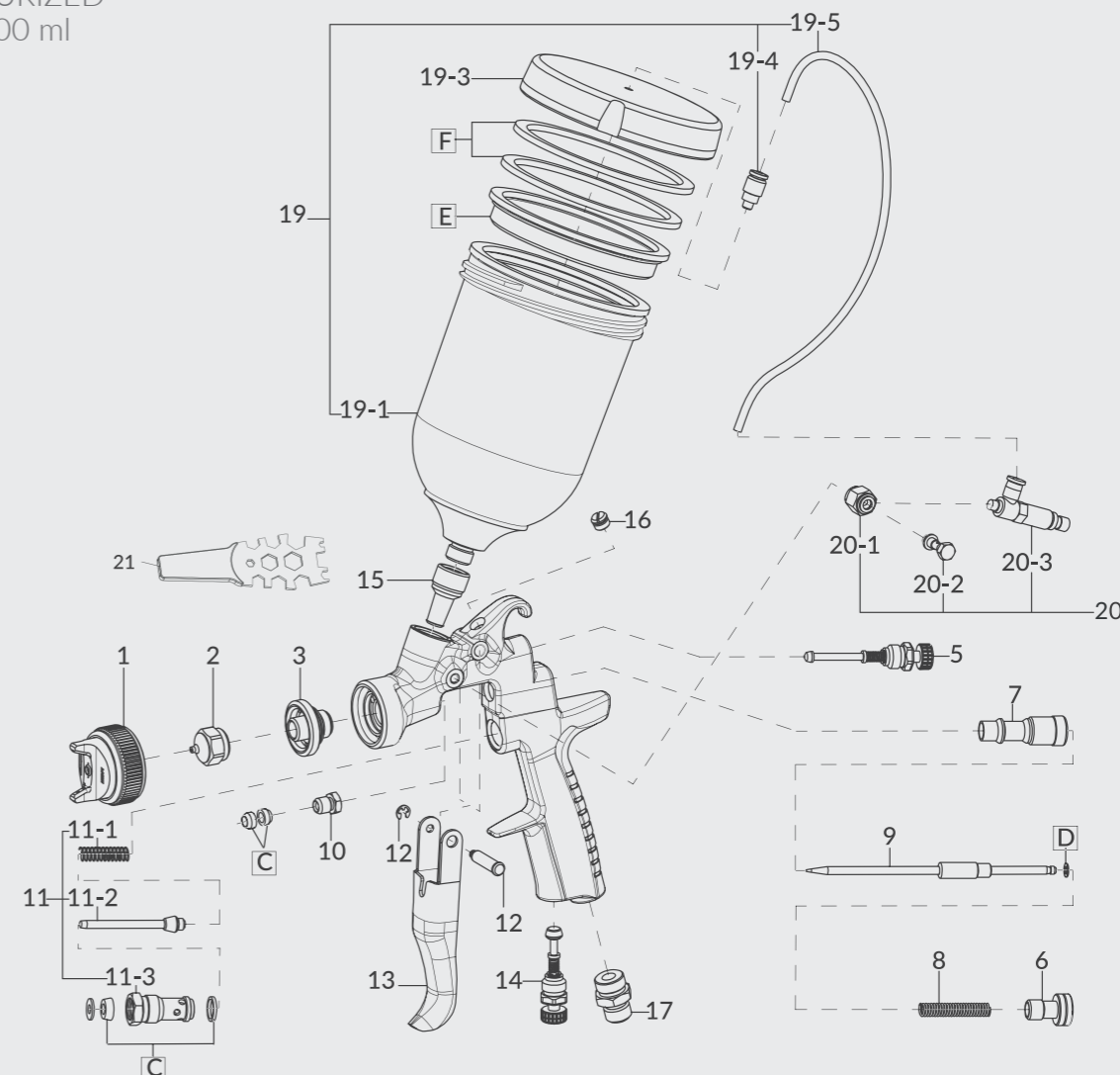


Flat and Long Pattern even spraying heavy materials



### PCGP-6P 2B-AZ

PRESSURIZED CUP 600 ml



### SPARE PARTS

REF.	CODE	DESCRIPTION	QTY.
1	see table on left page	AIR CAP SET	
2+9	see table on left page	NOZZLE + NEEDLE SET	
3	W3COM3050	NOZZLE HOLDER	
5	93842601	PATTERN ADJ. SET	
6	W2010141000	FLUID NEEDLE ADJ. KNOB	
7	W2010140900	FLUID NEEDLE GUIDE	
8	W2010140800	FLUID NEEDLE SPRING	
10	W2010140600	FLUID NEEDLE PACKING NUT	
11	W2010120100	AIR VALVE SET	
11-1	W2010141700	AIR VALVE SPRING	
11-2	W2010130600	AIR VALVE	
11-3	W2010130500	AIR VALVE SEAT	
12	W2COM4001	TRIGGER STUD	
13	W2COM6051	TRIGGER	
14	93845531	AIR ADJ. SET	
15	W3COM5038	THREADED BUSHING	
16	W2COM6050	PLUG	
17	W2COM5000	AIR NIPPLE	
C	W2KIT56	PACKING SET	(3 pcs./1 pk.)
D	W2KIT33	SLIDE RING SET	(10 pcs./1 pk.)

REF.	CODE	DESCRIPTION
19	W0CUPAZ85	PCGP-6P-2B-AZ PRESSURIZED CUP 600 ml
19-1	W3COM1037	PRESSURE CUP
19-3	W3COM1031	LID
19-4	W3COM5041	STRAIGHT MALE ADAPTOR
19-5	0010002700	AIR HOSE
E	W2KIT38	NON DRIP SET (3 pcs.)
F	W2KIT39	LID PACKING SET (4 pcs.)
20	W2SUB6066	PRESSURE REGULATOR SET
20-1	W3COM4030	ORIENTING RING
20-2	W3COM4033	BANJO STEM SINGLE
20-3	W3COM5032	PRESSURE REGULATOR
21	930171A0	UNIVERSAL SPANNER

### METAL LID

Sturdy and resistant for heavy duty use



### PRESSURE Assisted System

### HIGH PRECISION

MINI PRESSURE REGULATOR



### ORDER INFORMATION

#### CARTON BOX

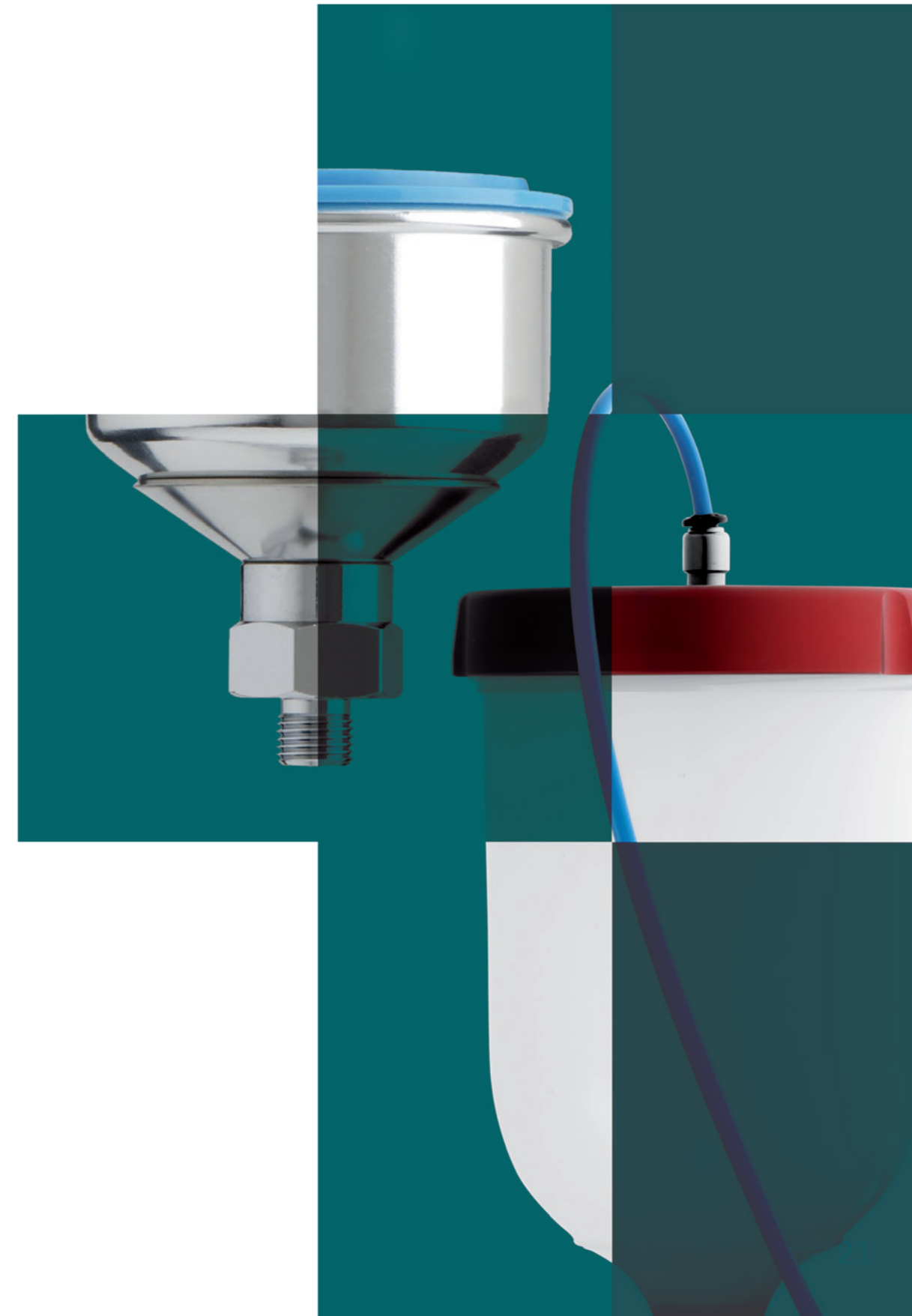
AZ3 HTE P.A.S. Concept Spray Gun  
PCGP-6P-2P-AZ PRESSURIZED CUP - 600 ml  
Universal Spanner

	Ø 1,3	Ø 1,5	Ø 1,8	Ø 2,0
AZ3 HTE P.A.S.	W0SPG88AG13C	W0SPG88AG15C	W0SPG88AG18C	W0SPG88AG20C
AIR CAP SET (HTE-P1 CONCEPT)	W2CAP83AG13			
FLUID NOZZLE + FLUID NEEDLE SET	W2ADU83AG13	W2ADU83AG15	W2ADU83AG18	W2ADU83AG20



# 2

## GRAVITY CUPS & FILTERS and



# GRAVITY CUPS

## GRAVITY CUPS - ORDER INFORMATION

### CENTRAL 600 ml

#### PCG-6P-2-AZ

Code: WOCUPAZ90  
 Connection: G1/4" (PF1/4")  
 Cpty.: 600 ml  
 Available for: AZ3 HTE 2  
 AZ3 HTE-S Impact



#### PCG-6P-2B-AZ

Code: W0012820100  
 Connection: G1/4" (PF1/4")  
 Cpty.: 600 ml  
 Available for: AZ3 HTE 2



#### PCGP-6P-2B-AZ

Code: WOCUPAZ85  
 Connection: G1/4" (PF1/4")  
 Cpty.: 600 ml  
 Available for: AZ3 HTE P.A.S. Concept



### CENTRAL 200 ml

#### PCG-2P-2

Code: WOCUPAZ40IN  
 Connection: G1/4" (PF1/4")  
 Cpty.: 200 ml  
 Available for: AZ4 HTE-S Impact Junior



### CENTRAL 70 ml

#### PCG-1P-1B-AZ

Code: W0012320100  
 Connection: G1/8" (PF1/8")  
 Cpty.: 70 ml  
 Available for: AZ5



#### PCG-2P-2B-AZ

Code: WOCUPAZ40  
 Connection: G1/4" (PF1/4")  
 Cpty.: 200 ml  
 Available for: AZ40 HTE



#### PCG-1P-2

Code: 13001200  
 Connection: G1/4" (PF1/4")  
 Cpty.: 70 ml  
 Available for: AZ4 HTE-S  
 Impact Junior



## FILTERS

### ORDER INFORMATION



Code: W2KIT06  
 Description: 60 MESH (250µ)  
 Qty.: 5 pcs.  
 Available for: AZ3 HTE2 (600 ml) - AZ3 HTE S Impact (600 ml)

# UV CUPS

## BLACK GRAVITY CUPS - ORDER INFORMATION

### FOR UV-CURED PAINT

The UV CUPS are an addition to our standard line of cups. Thanks to their black color they help protecting UV cured paints from unwanted exposition.



### CENTRAL 600 ml

#### UV BLACK CUP

Code: WOCUPAZ91  
 Connection: G1/4" (PF1/4")  
 Cpty.: 600 ml  
 Available for: AZ3 HTE IMPACT



3

GENERAL  
ACCESSORIES

HEALTH  
PROTECTION



## ANEST IWATA OVERALL

## GOGGLES & GLASSES VISIONSHIELD SERIES

### PREMIUM QUALITY



### IMPROVED FIT AND HIGH FULL DAY COMFORT

The New Premium Overall provides optimum protection against overspray and prevents pollution of the painting job by fibres, dust and lint. It has been designed with the user in mind, to guarantee a full day comfort and to responds to all our users safety necessity by an improved antistatic fiber most resistant and a new designed hood for a better fit.

#### PERSONAL PROTECTIVE EQUIPMENT (PPE)

Category I according to the European Directive 2016/425  
Basic PPE protects against minimal risks.

#### OVERALL'S SIZE CHART

SIZE	S	M	L	XL
EU	46	48	50	52-54
HIGH	170-174 cm	174-178 cm	178-182 cm	182-190 cm
CHEST	86-94 cm	94-102 cm	102-110 cm	110-118 cm
WAIST	70-78 cm	78-86 cm	86-94 cm	94-102 cm



Bicolored Overall in two different dark grey tones

Nylon fabric (EN 1149-1: 2006) with 1% carbon thread for maximum antistatic ability

According to 1149-3 Method 2: Induction decay time

Perfect fit for all sizes

Maximum movability

Dirt and water repellent, protects against overspray

Dust and lint free

High durable blind zipper

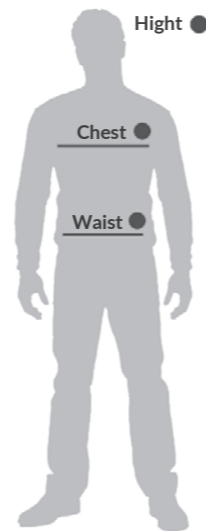
Underarm aeration net

Waist with elastic band

Tight fit to neck, sleeves and ankles cuffs

2 side pockets

Available sizes : S-M-L-XL



### ORDER INFORMATION

CODE	DESCRIPTION	SIZE
150006A0	PREMIUM OVERALL	S
150007A0	PREMIUM OVERALL	M
150008A0	PREMIUM OVERALL	L
150009A0	PREMIUM OVERALL	XL

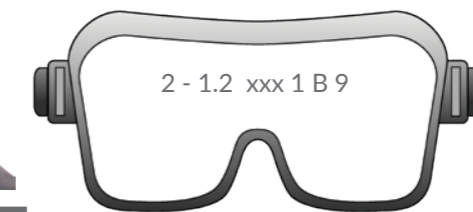


### OVER-GLASSES PROTECTIVE GOGGLES

#### FEATURES

Polycarbonate lens, offers protection from medium energy hi-speed particles, the frame offers protection against large dust particles and liquid droplets.

Soft rubber frame provides comfort for longtime.



CONFORMS TO EN166:2001

#### LENS MARKING: 2 - 1.2 XXX 1 B 9

2	Radiation protection: (2= UV filter)
1.2	Gradation: (1.2= Transparent)
XXX	Identification on the producer: (brand)
1	Optical Class: (1= Continuous use)
B	Mechanical resistance: (B= Medium energy impact)
9	Additional requirements: (9= Resistance to splashes of molten metals and penetration of hot solids)

### ORDER INFORMATION

CODE	DESCRIPTION
AGN020-441-3P0	VISIONSHIELD GOGGLES



### SAFETY WRAPAROUND GLASSES

#### FEATURES

Moulded with soft rubber to increase grip and provide excellent comfort levels.

Polycarbonate lenses and frame ensure protection against low energy hi-speed particles.

Adjustable nose piece: the soft nose bridge is adjustable and provides high grip fitting that prevents slippage.



CONFORMS TO EN166:2001

#### Lens Marking: 2 - 1.2 xxx 1 F N

2	Radiation protection: (2= UV filter)
1.2	Gradation: (1.2= Transparent)
XXX	Identification of the producer: (brand)
1	Optical Class: (1= Continuous use)
F	Mechanical resistance: (F= Low energy impact)
N	Additional requirements: (N= Fogging Resistance)

### ORDER INFORMATION

CODE	DESCRIPTION
ASA770-15K-4P0	VISIONSHIELD GLASSES



## VIPER HALF FACE GUARD MASK

### HALF MASK with INTERCHANGEABLE COMBINED FILTERS



#### FEATURES

- Full field of vision
- Quick bayonet fittings
- Secure fit
- Large filter surfaces



Medium Capacity Organic Gas / Vapors Filter (Hydrocarbons & Solvents)  
CONFORM TO: EN143:2000 + A1:2006

High Efficiency Particles Filters  
CONFORM TO: EN14387:2004

The spectrum of action of harmful substances is large, then it is necessary identify with great precision the specific risks present in each workplace. The half mask respirators have two different types of filters that offer effective protection against dust, gases and vapors. Wearing protective masks and using them correctly can ensure an effective protection of the health against toxic substances.



#### Filters in two versions

- A2P3R filter for high protection
- AB1P2R filter for standard protection

Built-in inhalation valves in the filter  
Low inhalation resistance

### A2 P3R HIGH PROTECTION COMBINED FILTERS

Filter marking: A2P3R	
A2	(A = organic gas/vapours, bp >65°C) (2 = medium capacity)
P3R	(P = particulate filter) (3 = high capacity) (R= reusable)



### AB1 P2R STANDARD PROTECTION COMBINED FILTERS

Low Capacity Organic Gas / Vapors Filter (Hydrocarbons & Solvents)  
CONFORM TO: EN143:2000 + A1:2006

Medium Efficiency Particles Filters  
CONFORM TO: EN14387:2004



### ORDER INFORMATION

CODE	DESCRIPTION	QTY.
150001A0	VIPER GUARD MASK (A2P3R Half Face Mask)	
150002A0	VIPER GUARD MASK (AB1P2R Half Face Mask)	
VIUGVGM123	A2P3R FILTER SET	(2 pcs)
VIUGVGM510	AB1P2R FILTER SET	(2 pcs)
VIUGVGM002KIT	P2R PRE-FILTER SET	(4 pre-filters/2 holders)

- RESPIRATORY PROTECTION
- DUST PARTICLES
- MISTS Et FUMES
- PAINTING ODOURS

CE 0086

75% RH

50°C

5 PP

## AIRFED 2020 FULL FACE MASK

One of the biggest risks to the health of the human body is the inhalation of dust, paint mists, gases, vapors or other contaminants, which can be greatly hazardous to our health, even in small quantities. For this reason, it is of extreme importance to use masks to protect against respiratory aggressions that you can undergo during job in a saturated environment of toxic substances. ANEST IWATA offers excellent protections to always ensure your safety in all kind of environments. AIRFED 2020 FULL FACE MASK is functional and stylish. Suitable for use with previously filtered compressed air.

#### FEATURES

- Very good all-round visibility with large visor
- Head protection and comfort headband
- Visor with quick-change protection film
- Individually adjustable belt
- Easily adjustable width adjustment
- Adjustable fresh air regulator
- 5 micron filter
- New Belt Unit including Whistle Warning
- 1.5m hose (inside diameter 8mm)
- Supplied in Hygiene Box



#### VISOR

EN166:2001

Lens marking: 1F3	
1	Optical Cass: (1 = Continuous use)
F	Mechanical resistance: (F = Low energy impact)
3	Specific use (risk types): (3 = Resistance to chemical splashes)

### HOSE/AIRLINE BREATHING APPARATUS

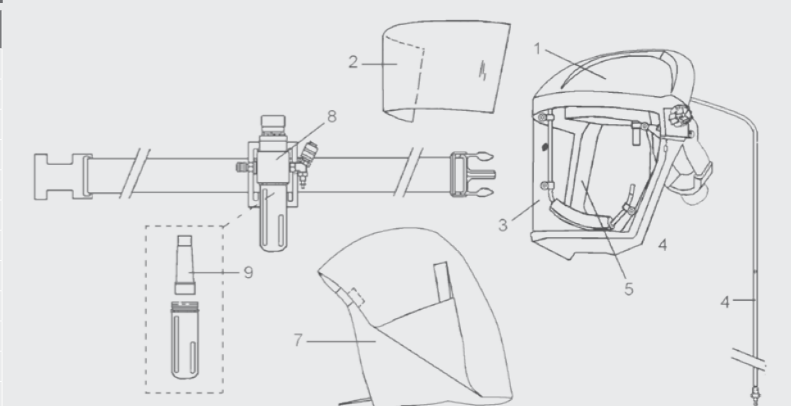
EN14594:2005

Marking: LHD-3	
LHD	Light, duty compressed air line helmet.
3	Class of performance (inward leakage): (3 = maximum 0.5%)

NOTE: compressed Air Breathing Quality, must be Conforms to EN12021:2014

### ORDER INFORMATION

CODE	DESCRIPTION	REF.	QTY.
VIUAF2020KIT	2020 AIR FED MASK		
VIUAF2020HEAD	2020 HEADPIECE ONLY	1	
VIUAF2020/K10-SV	VISOR PEEL OFF COVERS	2	10 pcs.
VIUAF2020/K50-SV	TEARS OFFS		50 pcs.
VIUAF2020CHIN	CHIN GUARD AND FACESCREEN	3	
VIUAF2020DIFF	DIFFUSER TUBE	4	
VIUAF2101K5	HYGIENE KIT	5	5 pcs.
VIUAF2103K5	NAPE COVERS	7	5 pcs.
VIUAF2207	BELT REGULATOR	8	
VIUAFG-N-AF-MC	5 MICRON FILTER	9	
VIUAF2003	BELT ONLY		
VIUAF2400	BRACKET ONLY		
I-UK-AH008-FT26	STUB HOSE		
VIUAF2010HRNS	ADJ HARNESS		



## MAGNETIC SUPPORT & GUN HOLDERS

### MAG STAND - Magnetic Support

#### FEATURES

Practical for every bodyshop, fast, flexible and reliable adhesion on all metal surfaces thanks to an extra-strong all-surface magnet.

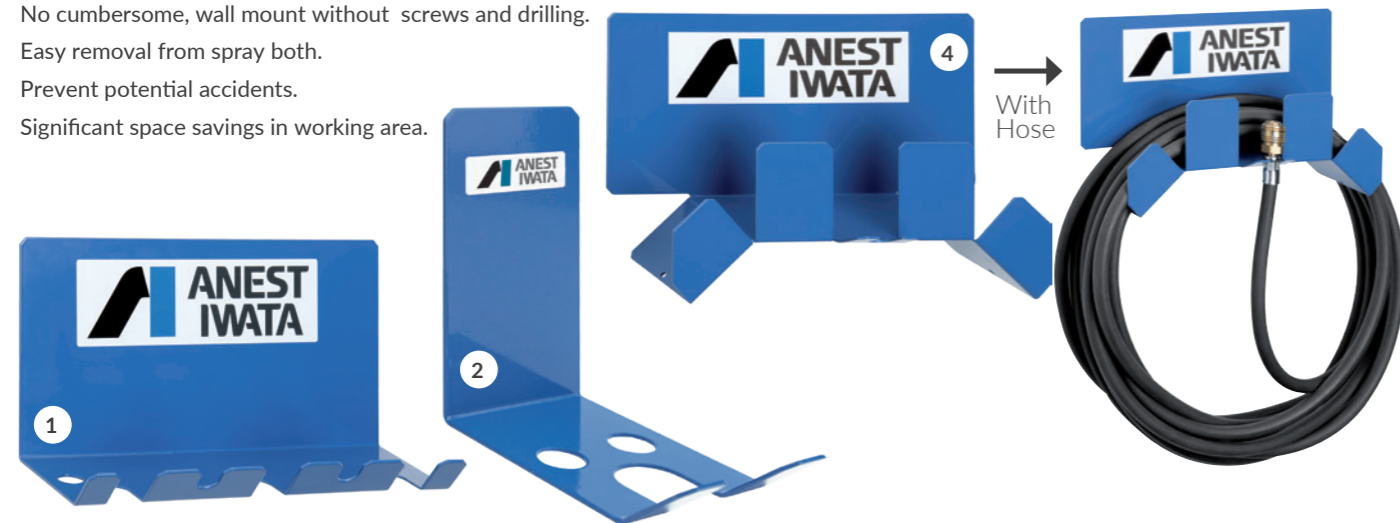
Hold up to 20 kg (each holder, measured on a clean metal surface).

No cumbersome, wall mount without screws and drilling.

Easy removal from spray both.

Prevent potential accidents.

Significant space savings in working area.



#### ORDER INFORMATION

CODE	DESCRIPTION	REF.
W2COM6052	MAGNETIC SPRAY GUN HOLDER (for 3 Spray Guns)	1
W2COM6120	MAGNETIC SPRAY GUN HOLDER (1 Single Spray Gun)	2
W2COM6093	MAGNETIC ADAPTOR HOLDER (for PPS-RPS Adaptors)	3
W2COM6094	MAGNETIC AIR HOSE HOLDER (Max. Hose length 20 m)	4

### GRAVITY GUN HOLDERS

#### FEATURES

Suitable to hold Gravity Guns after use or during the filling of the cup.

Available in 3 versions with base:

- Single Central Gravity (wall mountable)
- Multiple Central Gravity (3 places)
- Single Side Gravity.



#### ORDER INFORMATION

CODE	DESCRIPTION	REF.
W2501000500	CENTRAL GRAVITY GUN HOLDER (3 SPRAY GUNS)	A
W2501000100	CENTRAL GRAVITY GUN HOLDER (1 SPRAY GUN) WALL MOUNTABLE	B

## AIR PRESSURE REGULATOR

### IMPACT CONTROLLER2

#### FEATURES

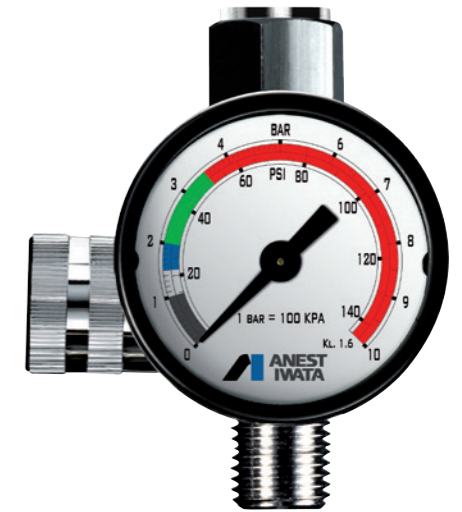
Air Pressure Gauge/Regulator

Joints G1/4"

Chrome plated aluminium body

Steel gauge case

Control range 0-10 bar



#### ORDER INFORMATION

CODE	DESCRIPTION
W2012920700	IMPACT CONTROLLER2 - AIR PRESSURE REGULATOR



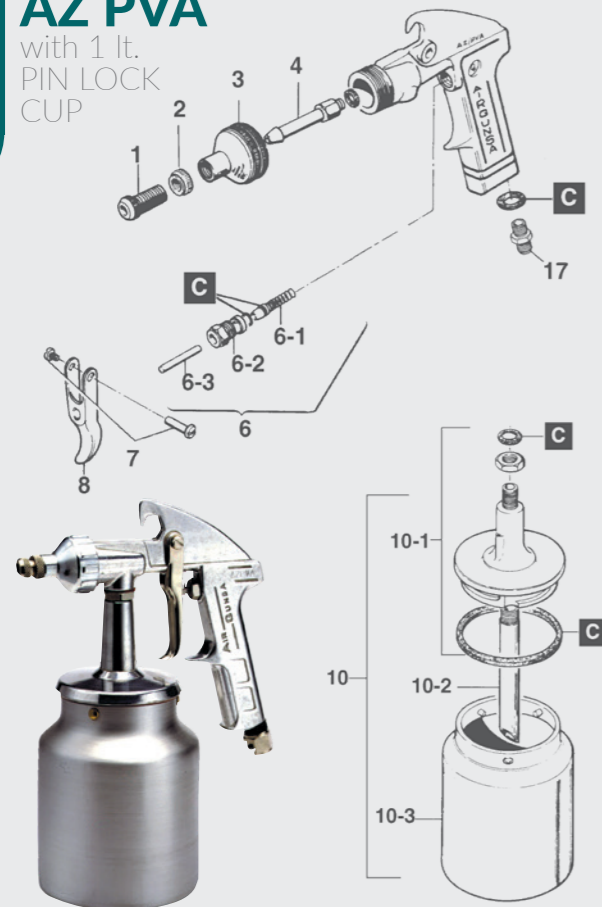
4

GARAGE  
EQUIPMENT

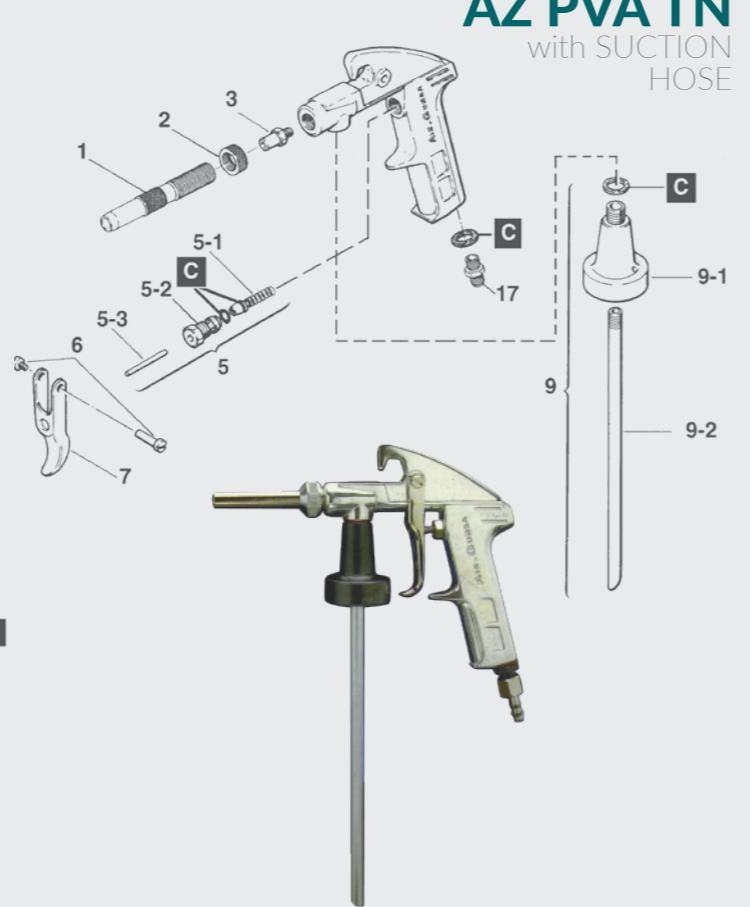


## AZ PVA - AZ PVA TN SPRAY GUNS FOR BODY COATING

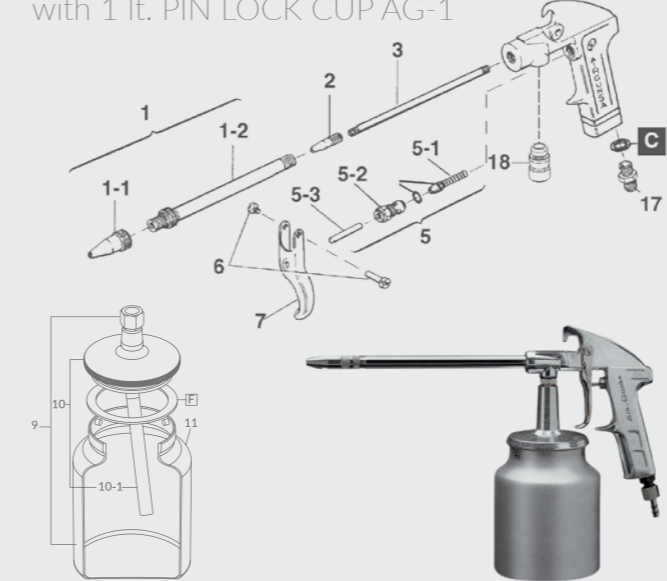
**AZ PVA**  
with 1 lt.  
PIN LOCK  
CUP



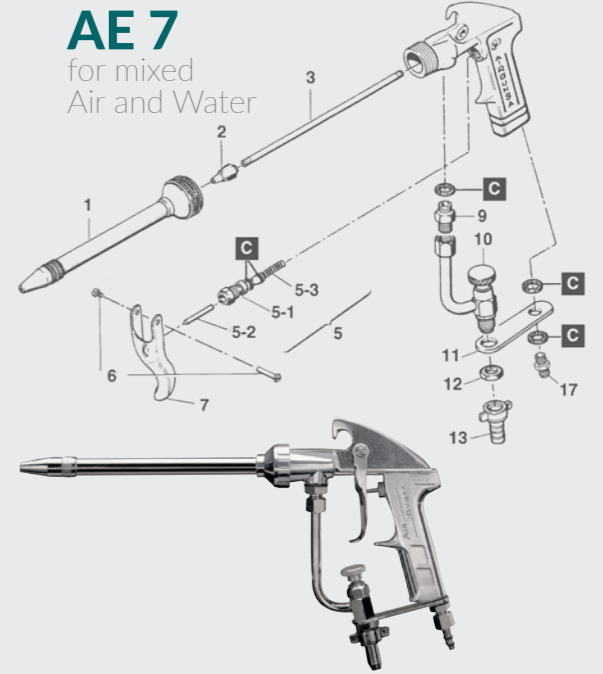
**AZ PVA TN**  
with SUCTION  
HOSE



**P6 - PL6**  
for Oil, Petroleum and Detergent  
with 1 lt. PIN LOCK CUP AG-1



**AE7**  
for mixed  
Air and Water



### ORDER INFORMATION

REF.	CODE	DESCRIPTION
	<b>W0011300000</b>	<b>AZ PVA SPRAY GUN FOR BODY COATING with 1 lt. Aluminium Pin Lock Cup</b>
1	W2011340100	EXTERNAL AIR CAP SET
2	W2011340900	JAM NUT
3	W2011340200	HEAD CONNECTION
4	W2011340300	FLUID NOZZLE
6	W2011320100	SEAT VALVE
6-1	W2011330300	VALVE
6-2	W2011330200	AIR VALVE SEAT SET
6-3	W2020140200	AIR VALVE
7	W2COM4008	TRIGGER STUD
8	W2011340700	TRIGGER
17	W2052191414	AIR NIPPLE G1/4" M
C	W2KIT48	PACKING SET (7 pcs./1 pk.)
<b>1 LITRE ALLUMINIUM PIN LOCK CUP SET</b>		
10	04002460	CONTAINER SET
10-1	04002480	LID SET
10-2	04002500	SUCTION HOSE
10-3	04006130	CONTAINER 1 lt.

REF.	CODE	DESCRIPTION
	<b>W00122200000</b>	<b>AZ PVA TN SPRAY GUN FOR BODY COATING</b>
1	W2012240600	OUTER NOZZLE
2	W4020130102	MILLED NUT FOR OUTER NOZZLE
3	W2030640100	AIR CAP SET
5	W2011320100	SEAT VALVE
5-1	W2011330300	VALVE
5-2	W2011330200	AIR VALVE SEAT SET
5-3	W2020140200	AIR VALVE
6	W2COM4008	TRIGGER STUD
7	W2011340700	TRIGGER
9	W2012220200	KIT LID WITH HOSE
9-1	W2012240400	LID
9-2	W2012240500	SUCTION HOSE
17	W2052191414	AIR NIPPLE G1/4" M
C	W2500100800	PACKING SET (3 pcs./1 pk.)

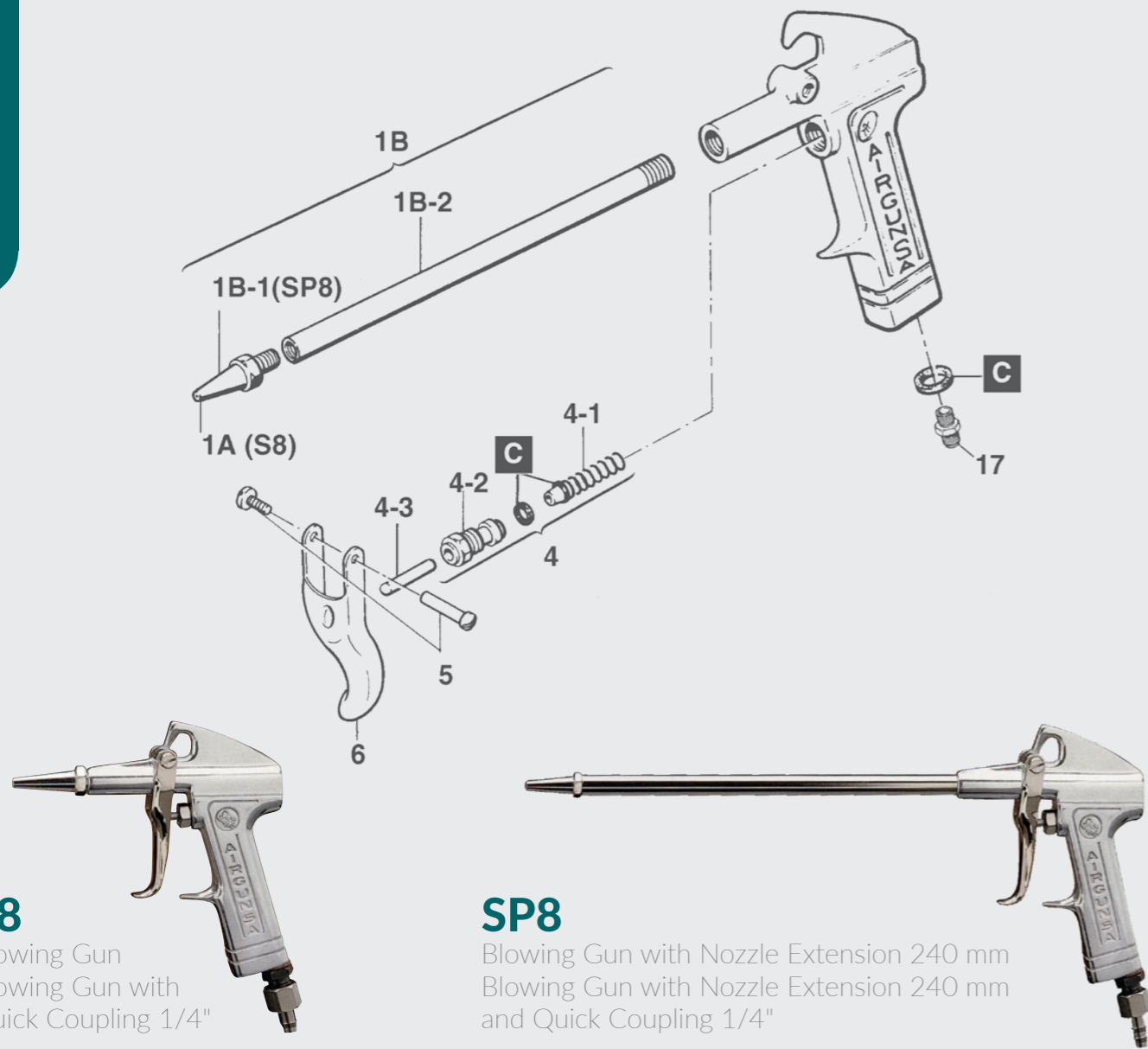
### ORDER INFORMATION

REF.	CODE	DESCRIPTION
	<b>W0020100000</b>	<b>P6 SPRAYER with 1 lt. ALUMINIUM CUP with 260 mm EXTENSION TUBE</b>
	<b>W0020200000</b>	<b>PL6 SPRAYER with 1 lt. ALUMINIUM CUP with 500 mm EXTENSION TUBE</b>
1	W2020120100	OUTER TUBE SET 260 mm
1	W2020220100	OUTER TUBE SET 500 mm
1-1	W2020140400	NOZZLE
1-2	W2020130100	TUBE 260 mm
1-2	W2020230100	TUBE 500 mm
2	W2020140500	AIR CAP SET
3	W2020140600	INNER TUBE 260 mm
3	W2020240100	INNER TUBE 500 mm
5	W2011320100	SEAT VALVE
5-1	W2011330300	VALVE
5-2	W2011330200	AIR VALVE SEAT SET
5-3	W2020140200	AIR VALVE
6	W2COM4008	TRIGGER STUD
7	W2011340700	TRIGGER
C	W2KIT47	PACKING SET (6 pcs./1 pk.)
17	W2052191414	AIR NIPPLE G1/4" M
18	W2COM5048	FLUID NIPPLE G 3/8" M
<b>AG-1 - 1 lt. ALUMINIUM PIN LOCK CUP SET</b>		
9	04006100	AG-1 CONTAINER SET 1lt.
10	04006110	LID SET
10-1	04010000	SUCTION TUBE
11	04006130	CONTAINER 1 lt.
F	W2KIT42	LID PACKING SET (2 pcs./1 pk.)

REF.	CODE	DESCRIPTION
	<b>W0020500000</b>	<b>AE7 SPRAYER</b>
1	W2020530100	NOZZLE OUTER 210 mm
2	W2020540100	FLUID NOZZLE
3	W2020540200	NOZZLE CONNECTION
5	W2011320100	SEAT VALVE
5-1	W2011330300	VALVE
5-2	W2011330200	AIR VALVE SEAT SET
5-3	W2020140200	AIR VALVE
6	W2COM4008	TRIGGER STUD
7	W2011340700	TRIGGER
9	W2020540500	AIR NIPPLE
10	W2020530200	DRAIN VALVE
11	W2020540300	CONNECTION PLATE
12	W2020540400	HEXAGON NUT
13	W2052293812	CONNECTION HOSE
17	W2052191414	AIR NIPPLE G1/4" M
C	W2500200100	PACKING SET (5 pcs./1 pk.)



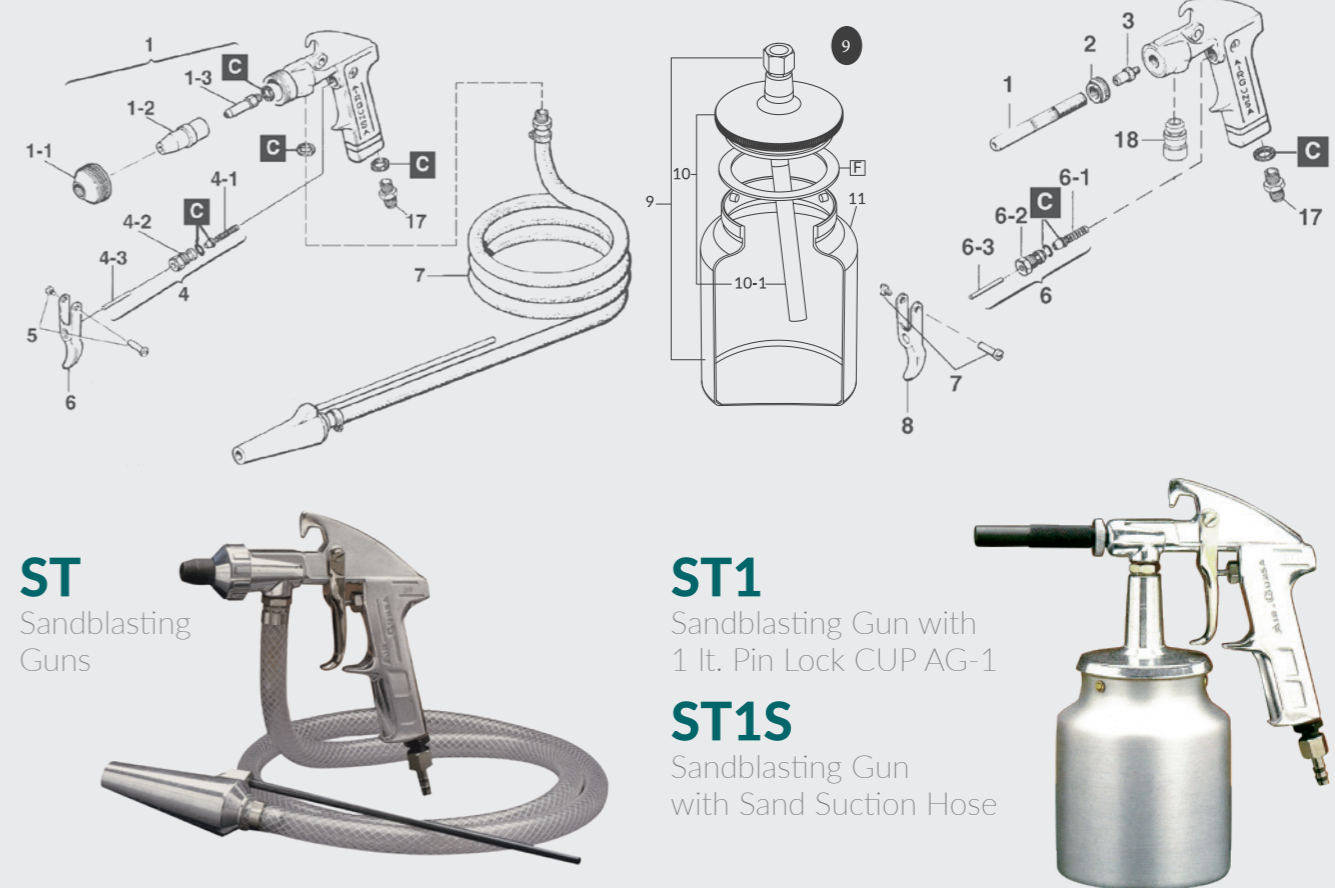
## S8 - SP8 BLOWING GUNS



**S8**  
Blowing Gun  
Blowing Gun with  
Quick Coupling 1/4"

**SP8**  
Blowing Gun with Nozzle Extension 240 mm  
Blowing Gun with Nozzle Extension 240 mm  
and Quick Coupling 1/4"

## ST - ST1 - ST1S SANDBLASTING GUNS



**ST**  
Sandblasting  
Guns

**ST1**  
Sandblasting Gun with  
1 Lt. Pin Lock CUP AG-1

**ST1S**  
Sandblasting Gun  
with Sand Suction Hose

### ORDER INFORMATION

### ORDER INFORMATION

CODE	DESCRIPTION
W003010000	<b>S8 BLOWING GUN</b>
W003020000	<b>S8 BLOWING GUN with Quick Coupling 1/4"</b>
W003070000	<b>SP8 BLOWING GUN with Nozzle Extension 240 mm</b>
W003030000	<b>SP8 BLOWING GUN with Nozzle Extension 240 mm with Quick Coupling 1/4"</b>

REF.	CODE	DESCRIPTION
1 A	W2030140200	NOZZLE S8
1 B	W2030720100	KIT OUTER HOSE 240 mm SP8
1 B-1	W2030740200	OUTER HOSE SP8
1 B-2	W2030740300	HOSE 240 mm SP8
4	W2011320100	SEAT VALVE
4-1	W2011330300	VALVE
4-2	W2011330200	AIR VALVE SEAT SET
4-3	W2020140200	AIR VALVE
5	W2COM4008	TRIGGER STUD
6	W2011340700	TRIGGER
C	W2500300300	PACKING SET (4 pcs./1 pk.)
17	W2052191414	AIR NIPPLE G1/4" M

REF.	CODE	DESCRIPTION
	W0030500050	ST SANDBLASTING GUN $\phi$ 5.0 mm with 1,5 m SAND SUCTION HOSE
	W0030510150	ST SANDBLASTING GUN $\phi$ 5.0 mm
	W0030500060	ST SANDBLASTING GUN $\phi$ 6.0 mm with 1,5 m SAND SUCTION HOSE
	W0030510160	ST SANDBLASTING GUN $\phi$ 6.0 mm
1	W2030520150	NOZZLE SET $\phi$ 5 mm
1	W2030520160	NOZZLE SET $\phi$ 6 mm
1-1	W2030540100	CONNECTION AIR CAP
1-2	W2030540550	HARDENED STEEL OUTER NOZZLE $\phi$ 5 mm
1-2	W2030540560	HARDENED STEEL OUTER NOZZLE $\phi$ 6 mm
1-3	W2030540400	STAINLESS STEEL INNER NOZZLE
4	W2011320100	AIR VALVE SET
4-1	W2011330300	AIR VALVE
4-2	W2011330200	AIR VALVE SEAT
4-3	W2020140200	AIR VALVE SHAFT
5	W2COM4008	TRIGGER STUD
6	W2011340700	TRIGGER
7	W0030530100	SUCTION HOSE SET
17	W2052191414	AIR NIPPLE G1/4" M
C	W2500300100	PACKING SET (5 pcs./1 pk.)

REF.	CODE	DESCRIPTION
	W0030600000	ST 1 SANDBLASTING GUN with 1 Lt. PIN LOCK CUP AG-1
	W0030800000	ST 1S SANDBLASTING GUN with 3 m SAND SUCTION HOSE
1	W2030640300	NOZZLE
2	W2030640200	JAM NUT
3	W2030640100	AIR CAP SET
6	W2011320100	AIR VALVE SET
6-1	W2011330300	AIR VALVE
6-2	W2011330200	AIR VALVE SEAT
6-3	W2020140200	AIR VALVE SHAFT
7	W2COM4008	TRIGGER STUD
8	W2011340700	TRIGGER
17	W2052191414	AIR NIPPLE G1/4"
18	W2COM5048	FLUID NIPPLE G3/8" M
C	W2KIT47	PACKING SET (6 pcs./1 pk.)
C	W2500300200	PACKING SET (4 pcs./1 pk.) (ST1S)
M	W0030830100	SUCTION HOSE (ST1S)
<b>AG-1 - 1 Lt. ALUMINIUM PIN LOCK CUP SET</b>		
9	04006100	AG-1 CONTAINER SET
10	04006110	LID SET
10-1	04010000	SUCTION TUBE
11	04006130	CONTAINER 1 Lt.
F	W2KIT42	LID PACKING SET (2 pcs./1 pk.)





## PROFESSIONAL COATING EQUIPMENT SPECIALIST

### EUROPE

ANEST IWATA Italia S.r.l.  
Chieri (TO) - ITALY  
info@anest-iwata-it.com  
www.anest-iwata-coating.com

ANEST IWATA Deutschland GmbH  
Leipzig - GERMANY  
info@anest-iwata-de.com  
www.anest-iwata-coating.com

ANEST IWATA France S.A.  
Saint Quentin Fallavier, Lyon - FRANCE  
info@anest-iwata-fr.com  
www.anest-iwata-coating.com

ANEST IWATA U.K. Ltd.  
St. Neots Cambridgeshire - ENGLAND  
info@anest-iwata-uk.com  
www.anest-iwata-coating.com

ANEST IWATA Iberica S.L.U.  
Saint Adrià del Besos Barcelona - SPAIN  
info@anest-iwata-ib.com  
www.anest-iwata-coating.com

ANEST IWATA Scandinavia AB.  
Partille, Göteborg - SWEDEN  
info@anest-iwata-se.com  
www.anest-iwata-coating.com

ANEST IWATA Polska Sp. Z o.o.  
Jasin / Swarzędz - POLAND  
info@anest-iwata-pl.com  
www.anest-iwata-coating.com

### NORTH AMERICA

ANEST IWATA Americas, INC.  
West Chester - Ohio - U.S.A.  
inquiry@anestiwata.com  
www.anestiwata.com

### MÉXICO

ANEST IWATA México, S.De R.L.De C.V.  
Guanajuato - MÉXICO  
info@anestiwatamexico.com  
www.anestiwatamexico.com

### BRAZIL

AIRZAP-ANEST IWATA INDÚSTRIA COMÉRCIO Ltda.  
Sao Paulo - BRAZIL  
contato@anest-iwata.net.br  
www.anest-iwata.net.br

### RUSSIA

ANEST IWATA Russia LLC  
Moscow - RUSSIA  
tam@anestiwata.ru  
www.anestiwata.ru

### AUSTRALIA

ANEST IWATA Australia Pty Ltd.  
Sidney - AUSTRALIA  
info@anest-iwata.com.au  
www.anest-iwata.com.au

### SOUTH AFRICA

ANEST IWATA South Africa Pty Ltd.  
Johannesburg - REPUBLIC OF SOUTH AFRICA  
www.anest-iwata.co.za

### ASIA

ANEST IWATA KOREA Corporation  
Ansan City - KOREA  
inquiry@aikr.co.kr - www.aikr.co.kr

ANEST IWATA Motherson Coating Equipment Ltd.  
Noida - INDIA  
sales@aim.motherson.com  
www.motherson.com  
anest-iwata-motherson.html

ANEST IWATA Shanghai Corporation  
Shanghai - CHINA  
customer@anest-iwata-sh.com  
www.anest-iwata-sh.com

ANEST IWATA Vietnam CO. Ltd.  
Ho Chi Minh City - VIETNAM  
info@anest-iwata.vn  
www.anest-iwatasoutheastasia.com

PT. ANEST IWATA Indonesia  
Jakarta - INDONESIA  
www.anest-iwatasoutheastasia.com

ANEST IWATA Southeast Asia CO. Ltd.  
Bangkok - THAILAND  
info@anest-iwata.co.th  
www.anest-iwatasoutheastasia.com

### HEADQUARTER

ANEST IWATA Corporation  
Yokohama - JAPAN  
www.anest-iwata.co.jp

ANEST IWATA Strategic Center S.r.l.  
Cardano al Campo (VA) - ITALY  
info@anest-iwata-st.com  
www.anest-iwata-coating.com